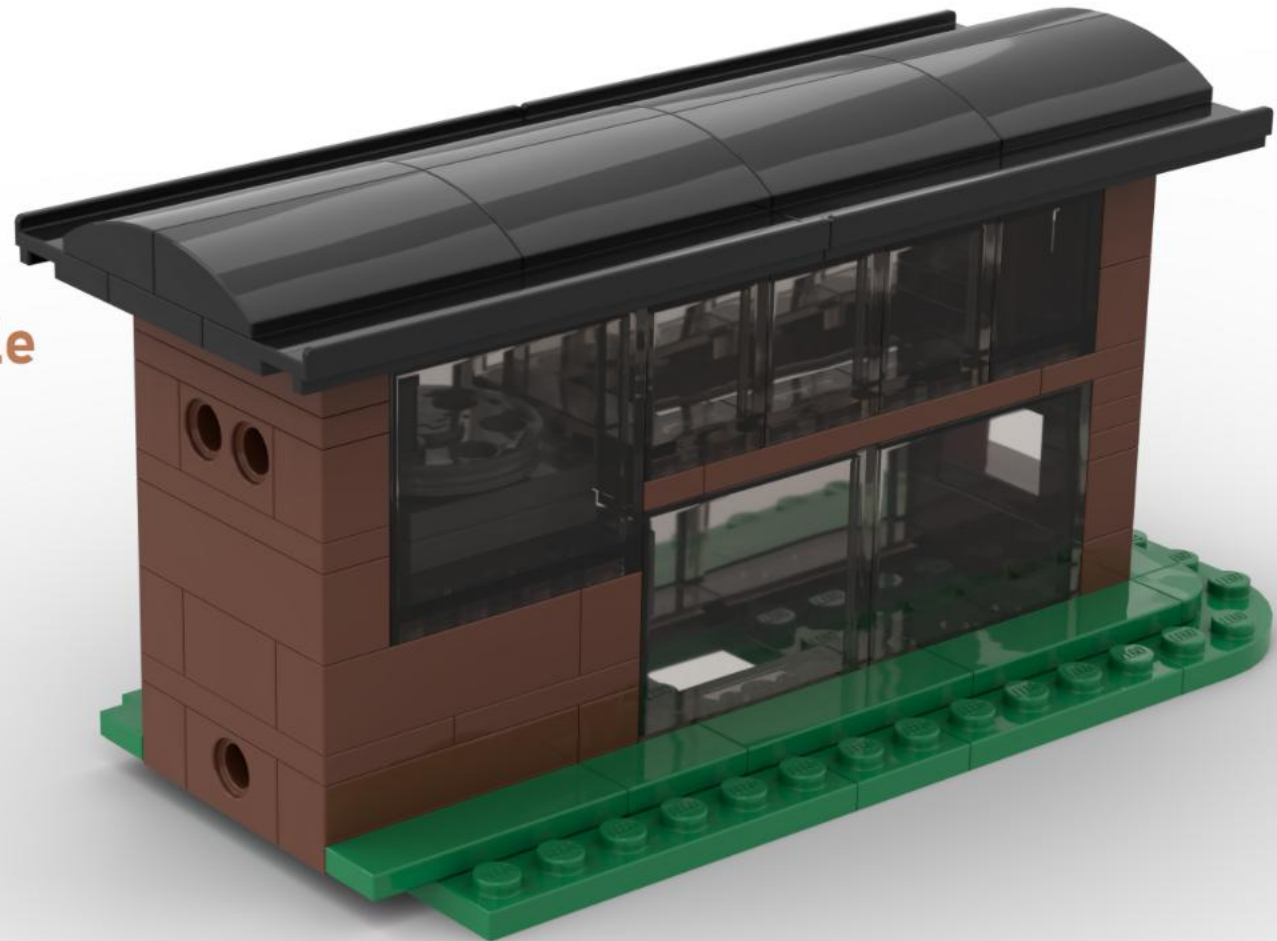


**Large servo house for  
semaphore stop  
signals**

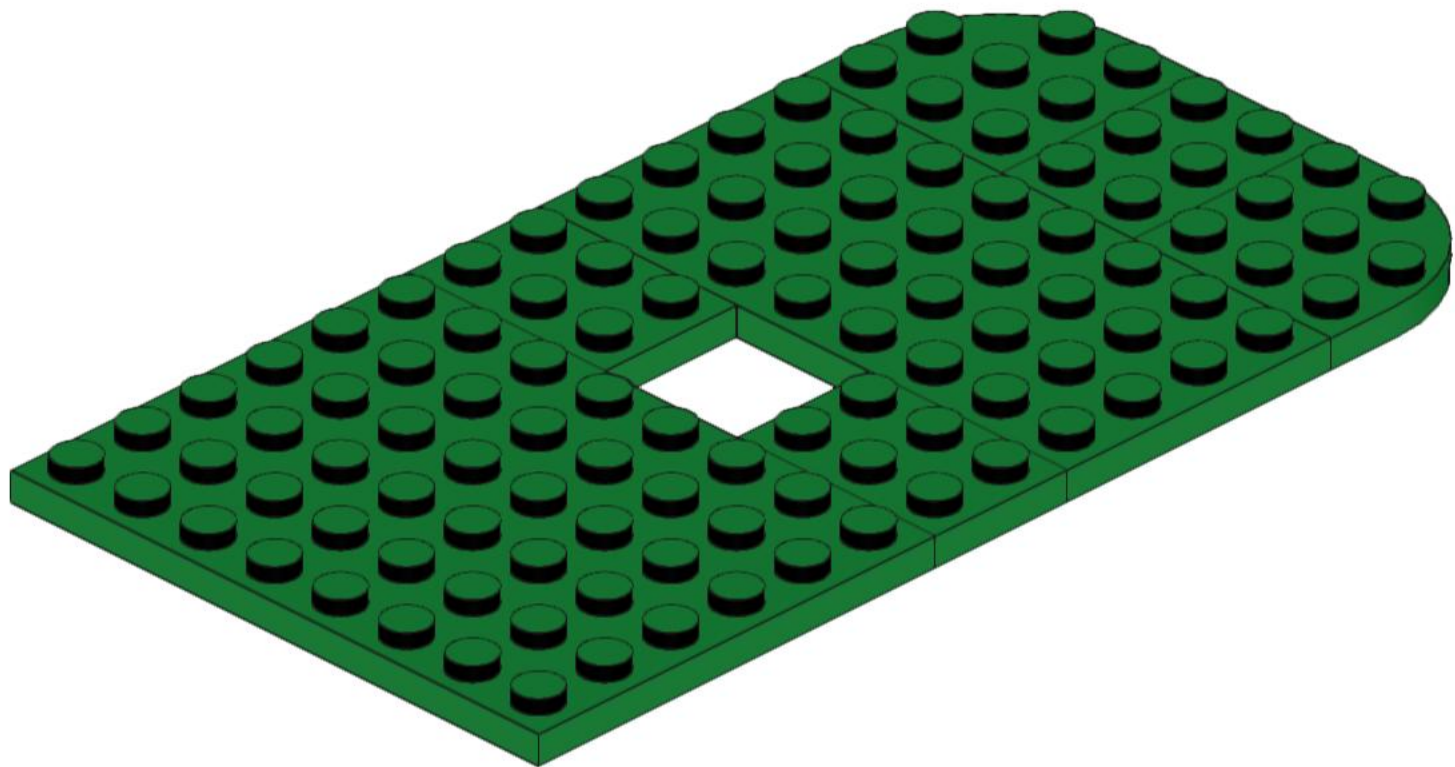
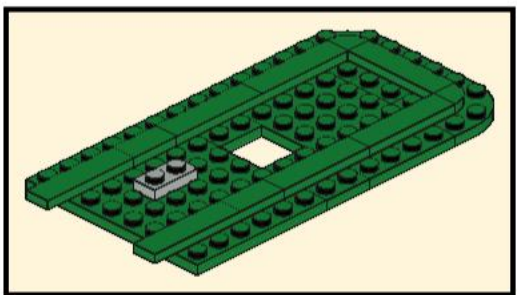
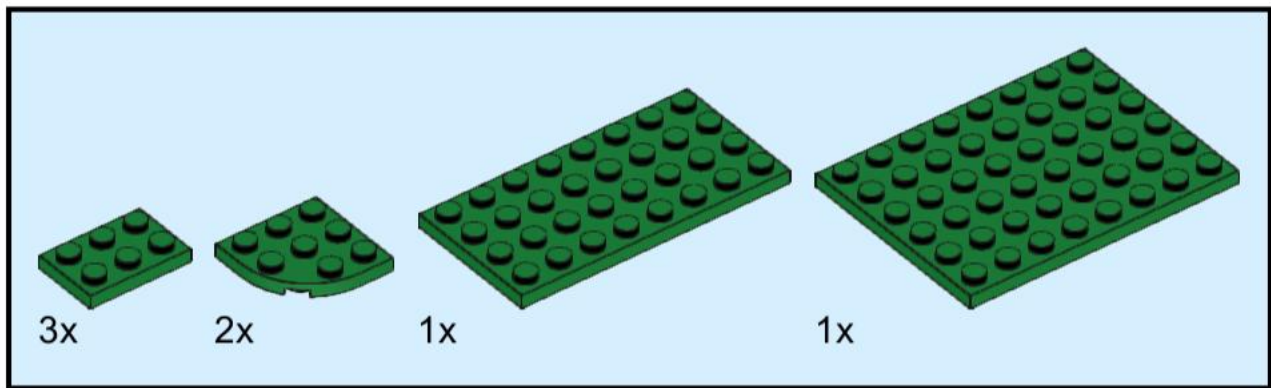
**Großes Servohaus  
für Formhauptsignale**

**V1.0**

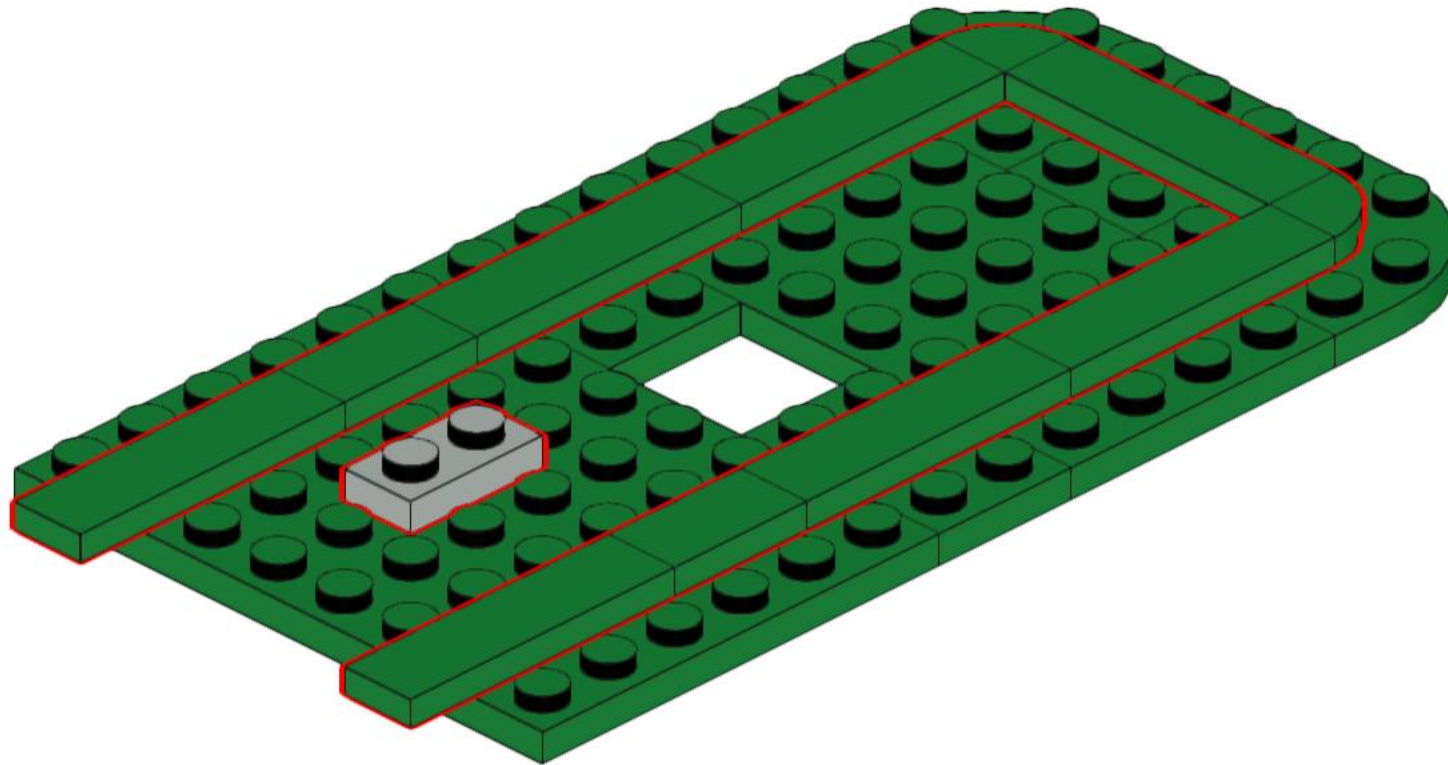
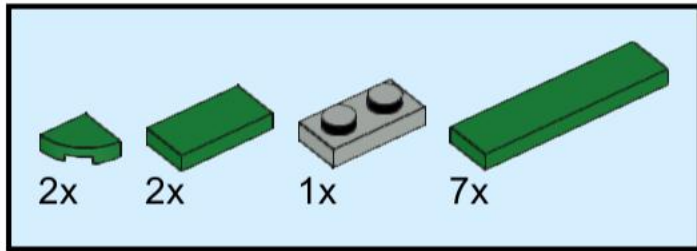


(c) 2022 by Matthias Runte  
All rights reserved.  
[www.mattzobricks.com](http://www.mattzobricks.com)  
[info@mattzobricks.com](mailto:info@mattzobricks.com)

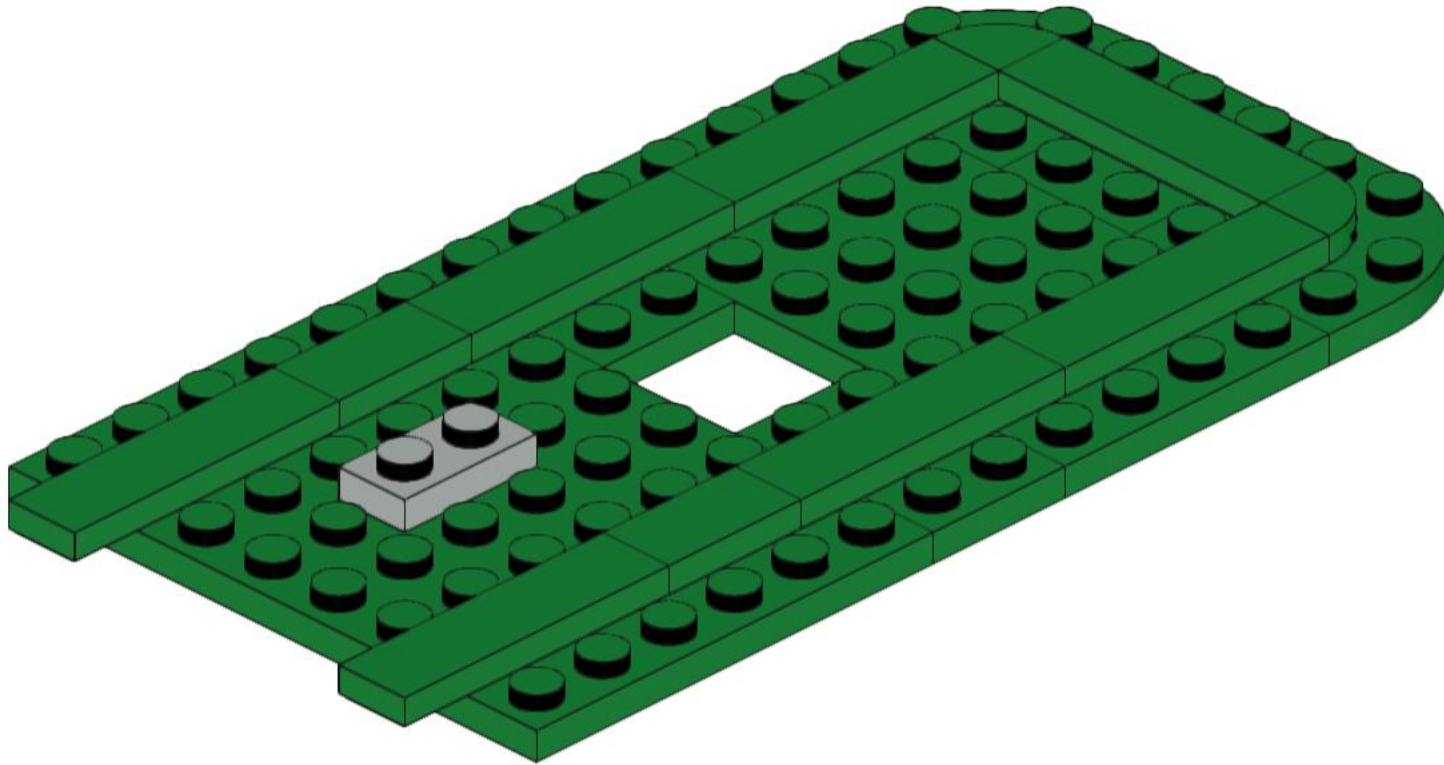
# 1



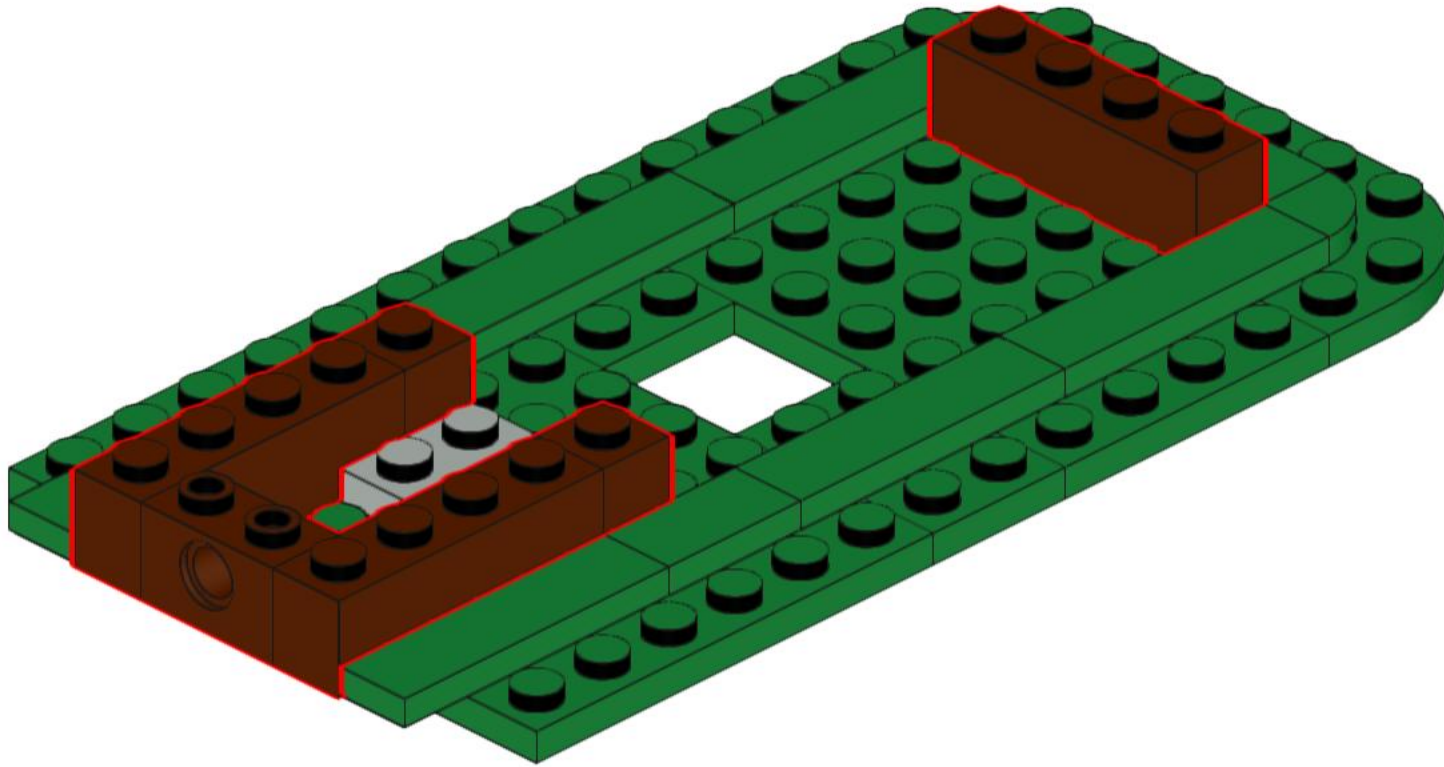
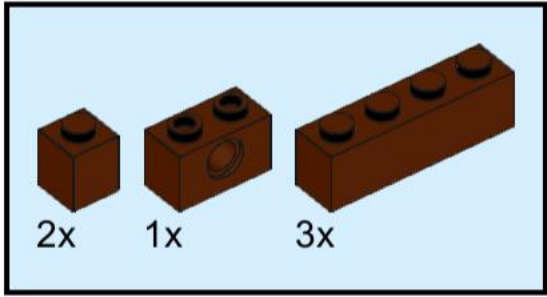
# 2



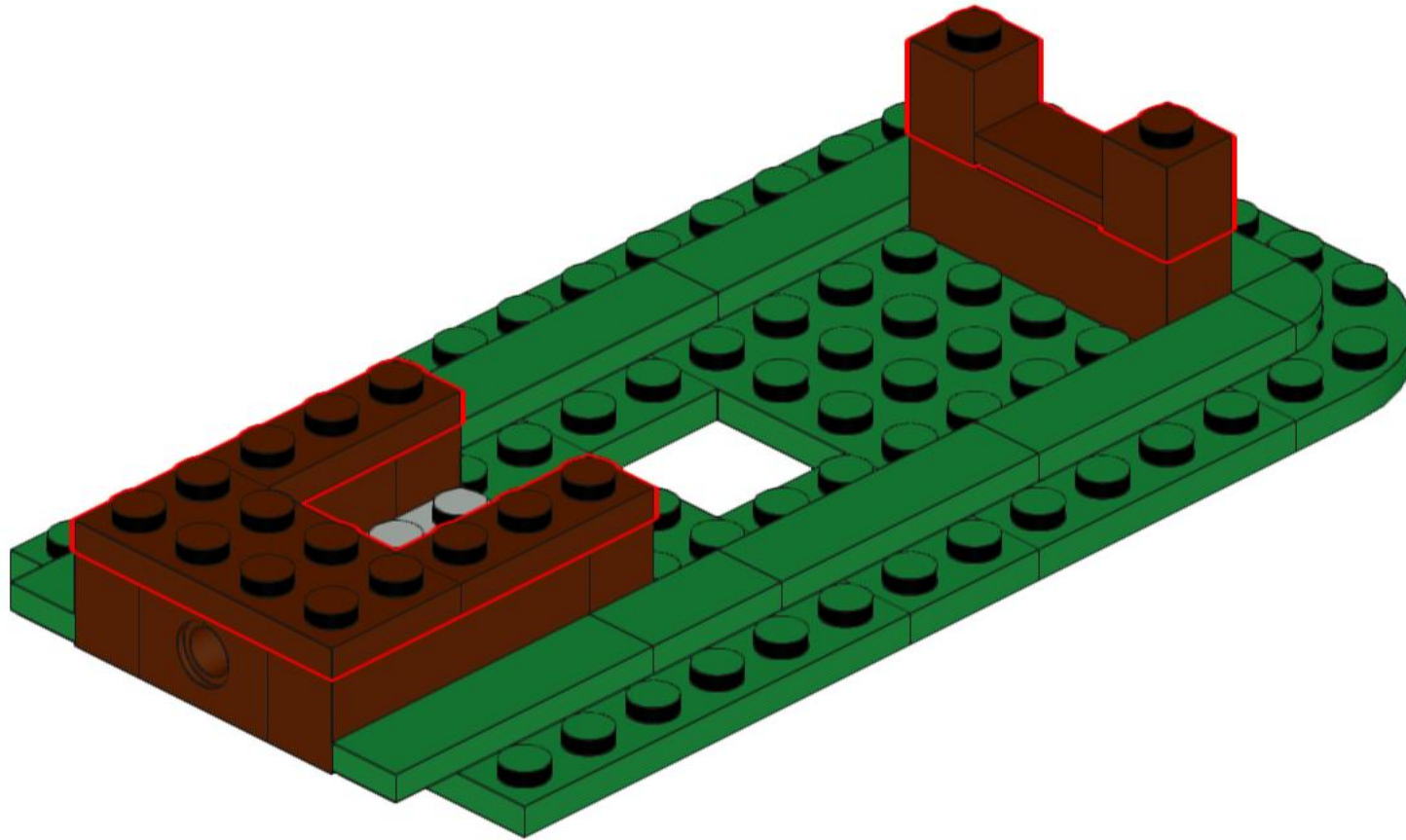
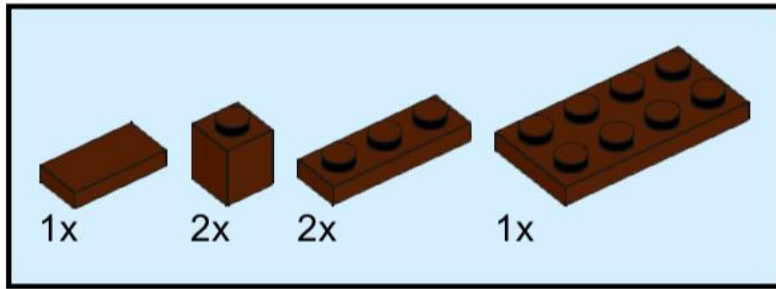
3



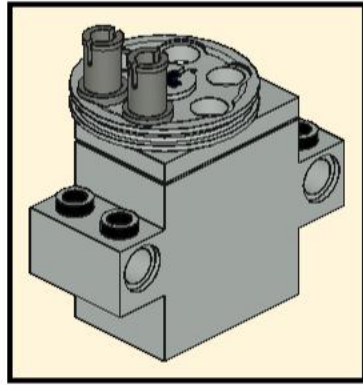
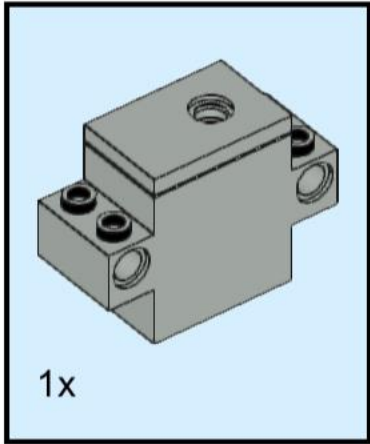
4



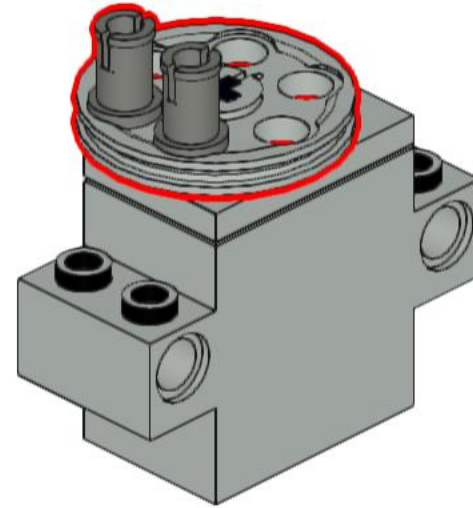
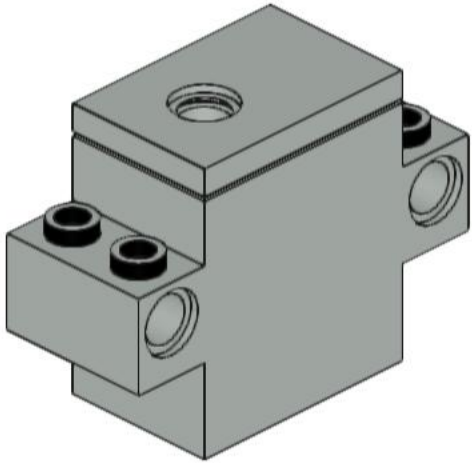
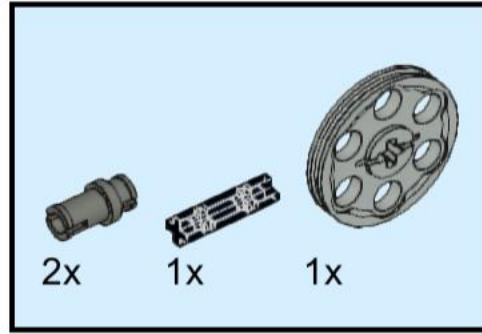
# 5



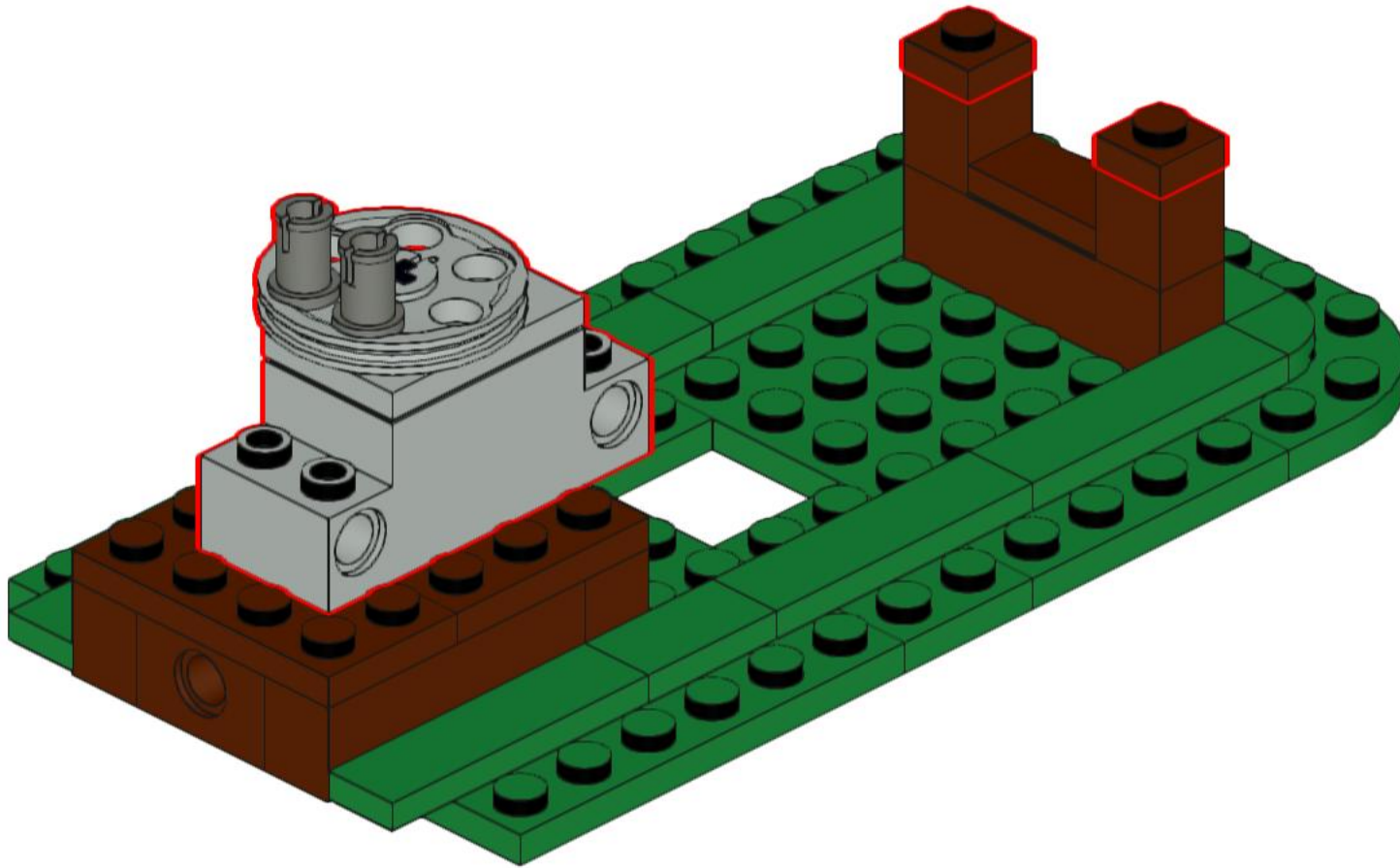
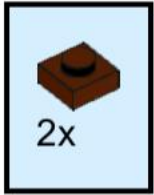
# 6



# 7

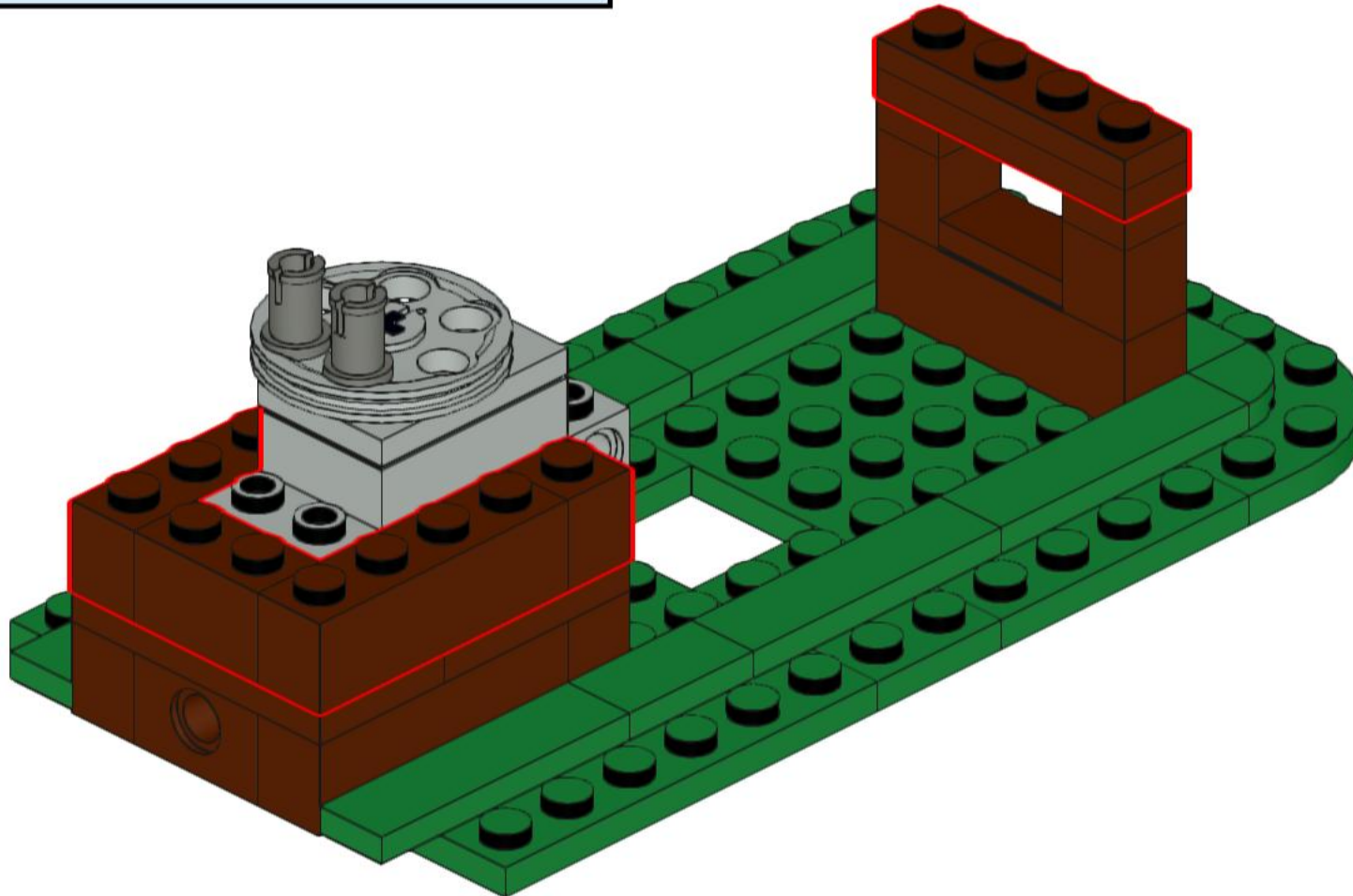
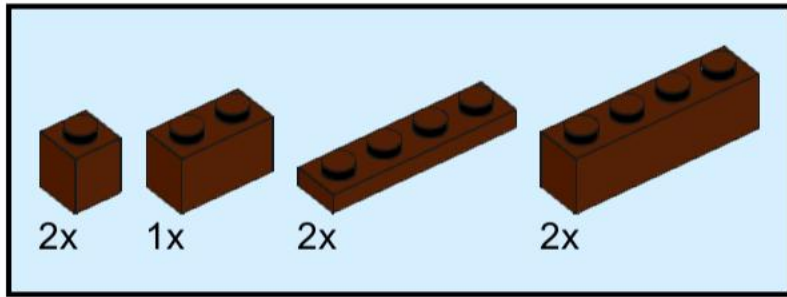


8

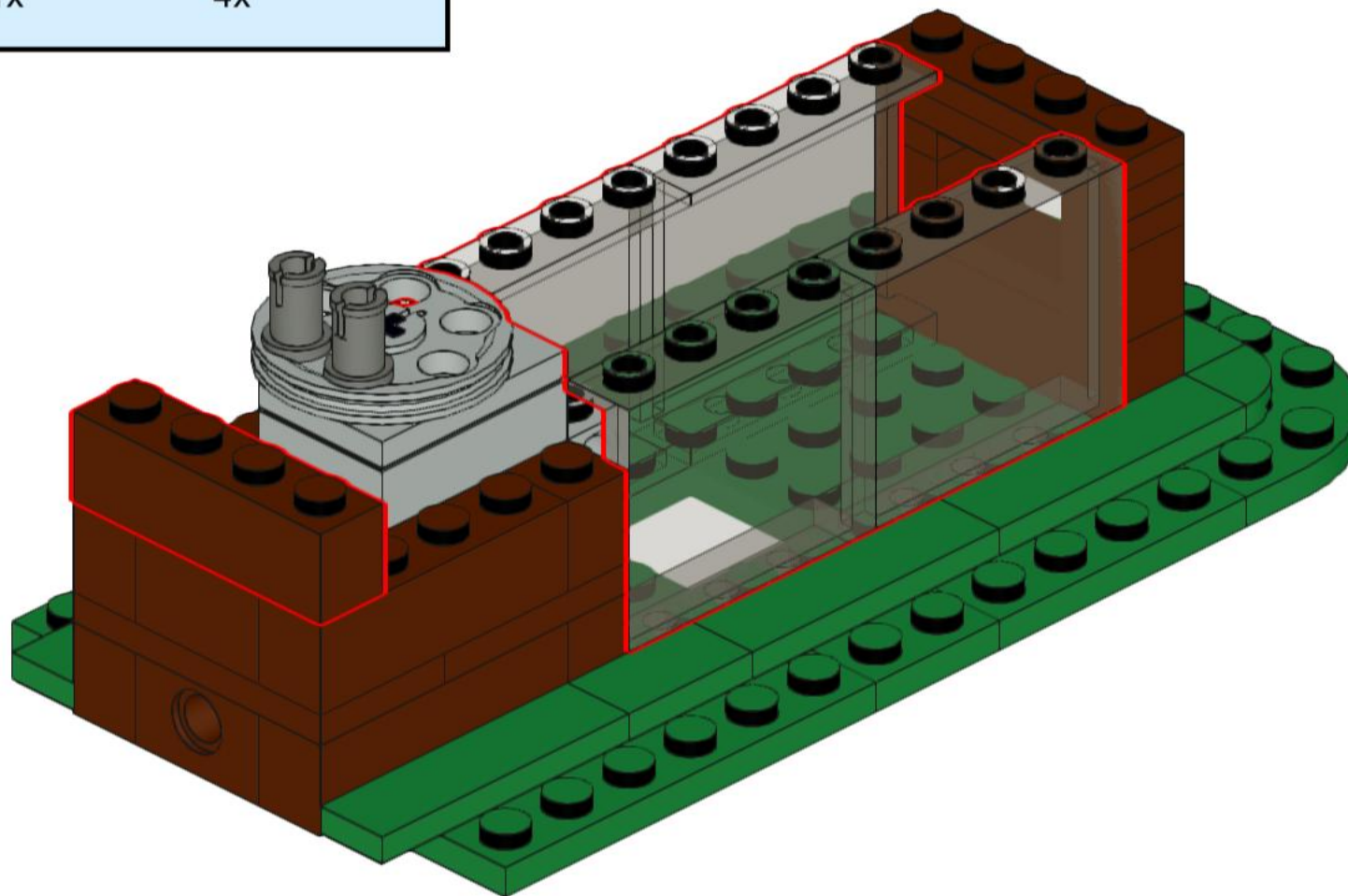
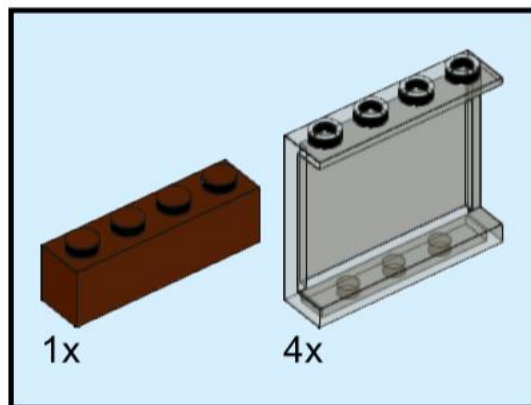




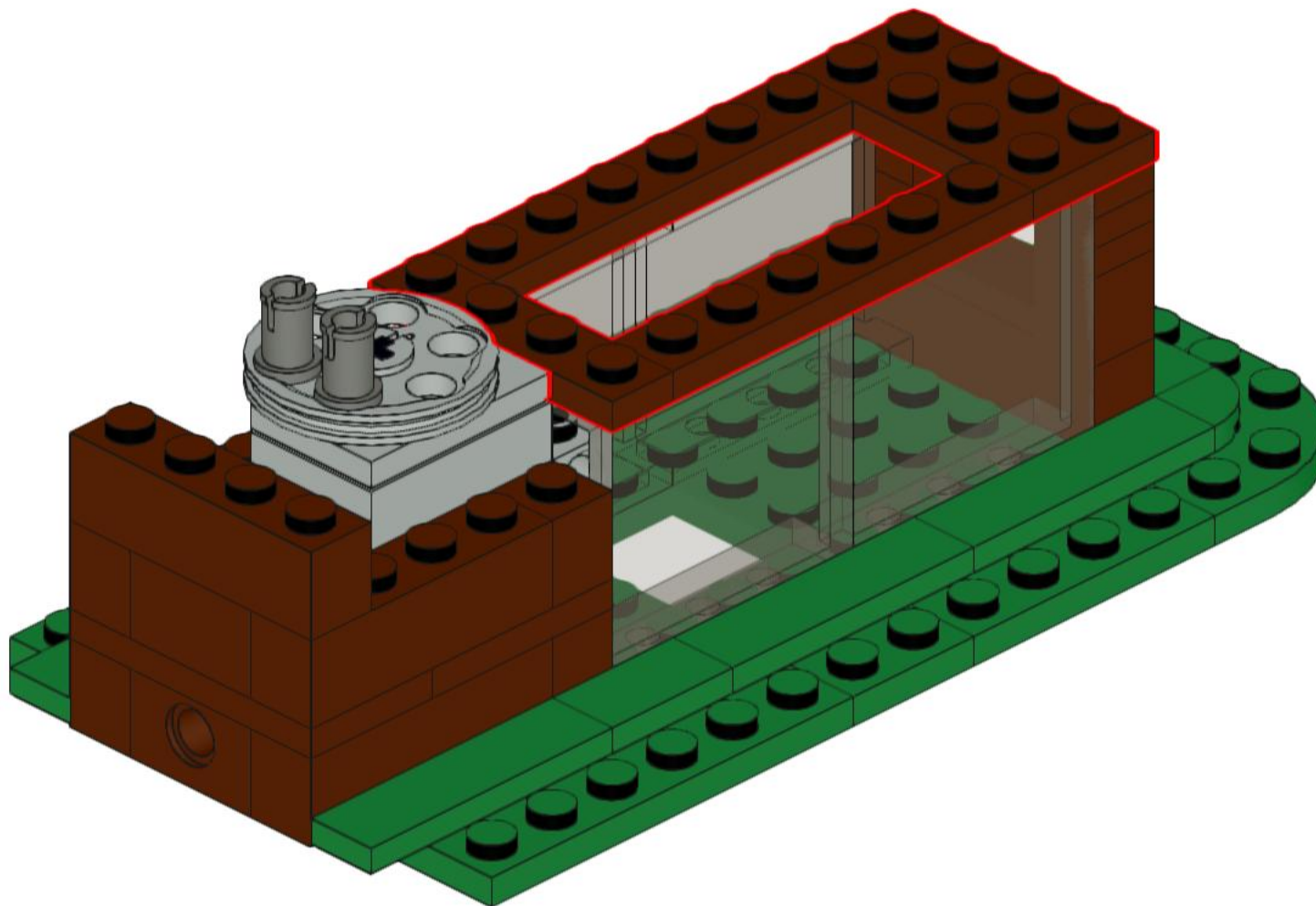
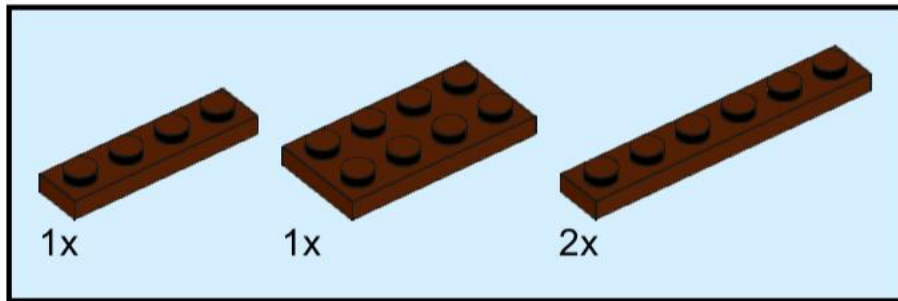
9



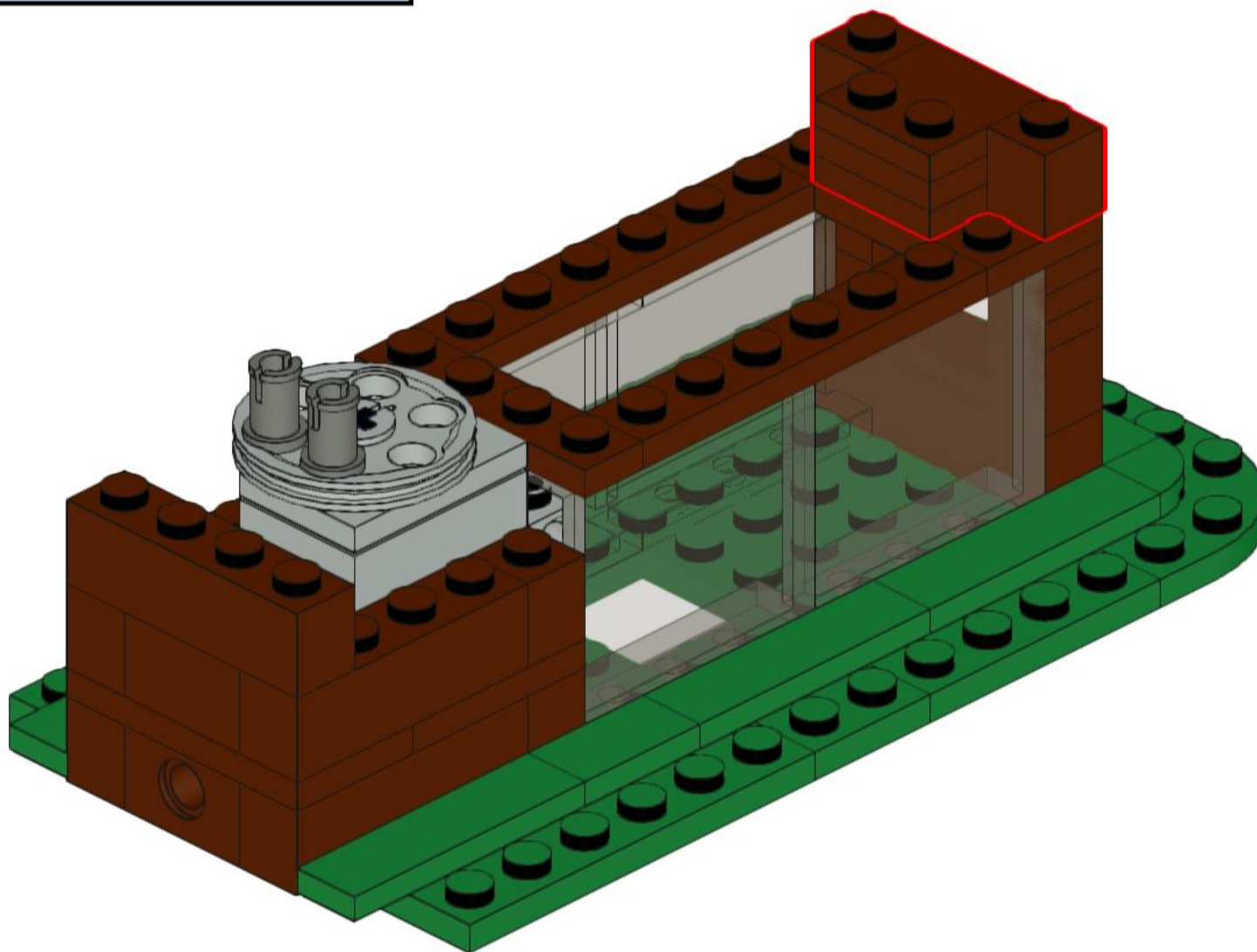
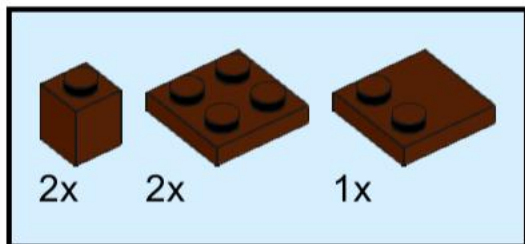
# 10



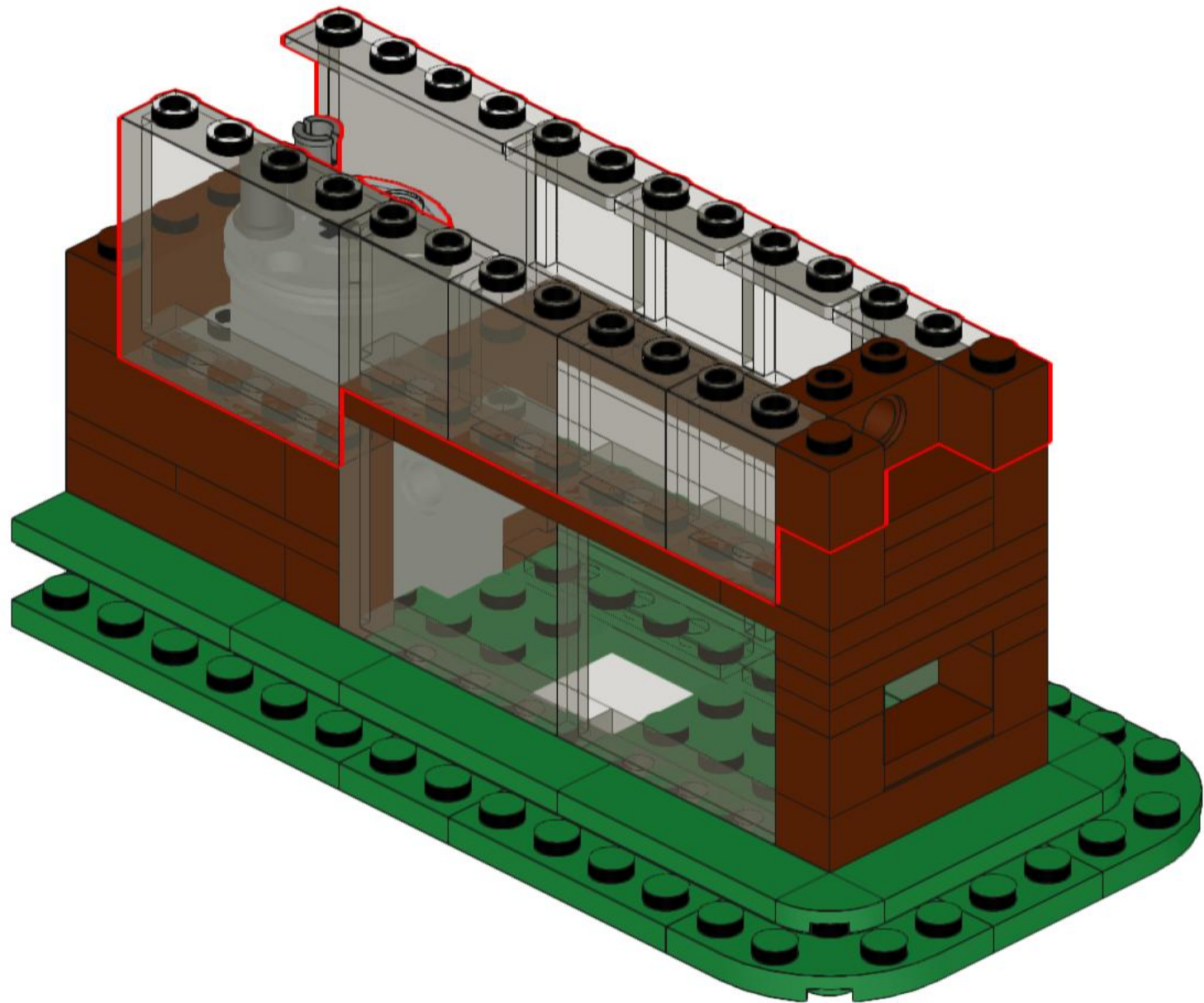
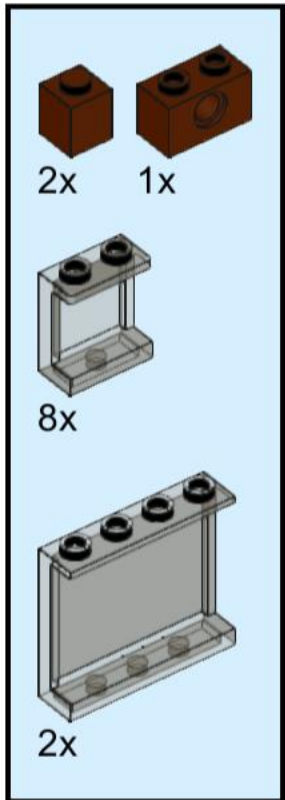
# 11



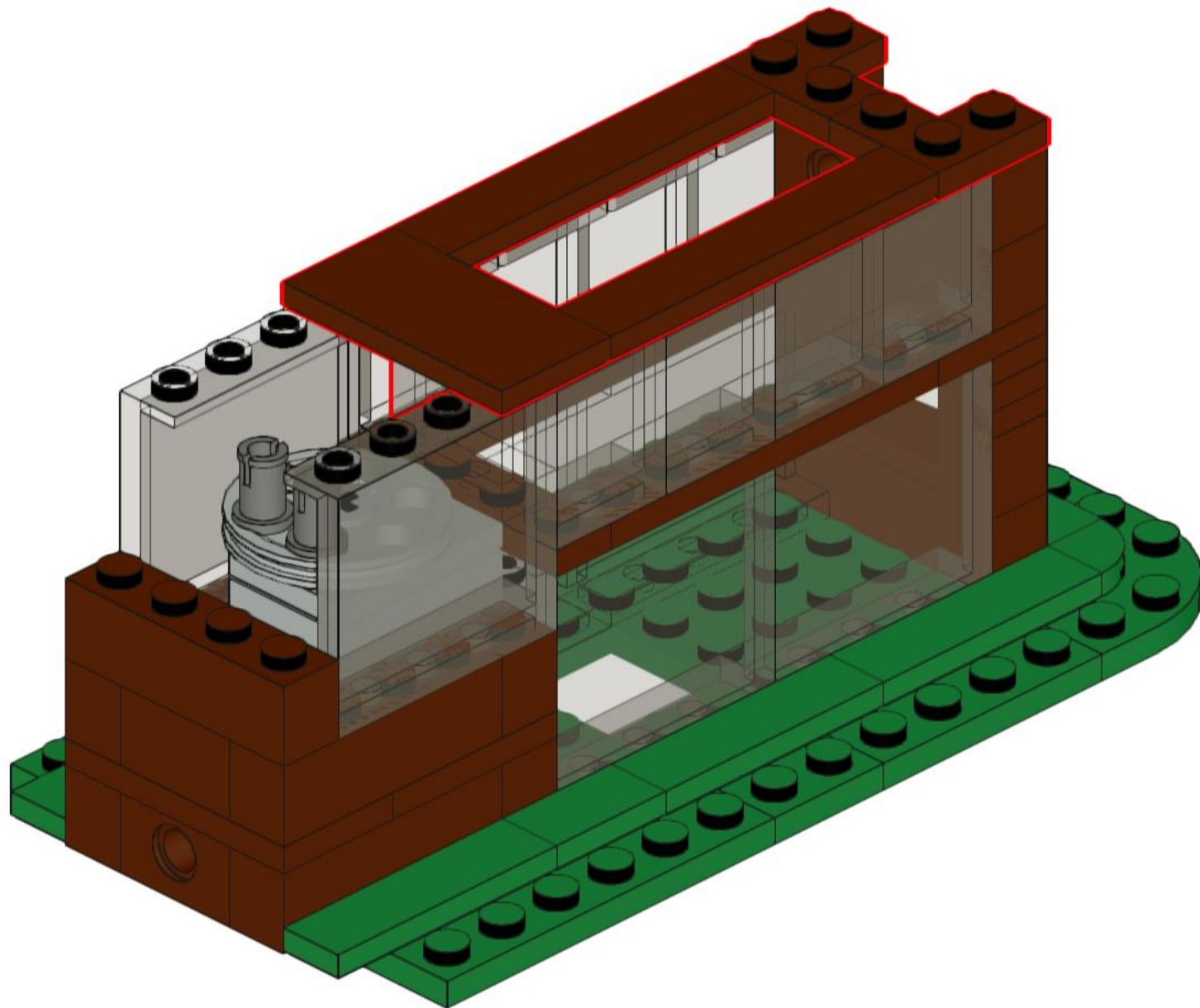
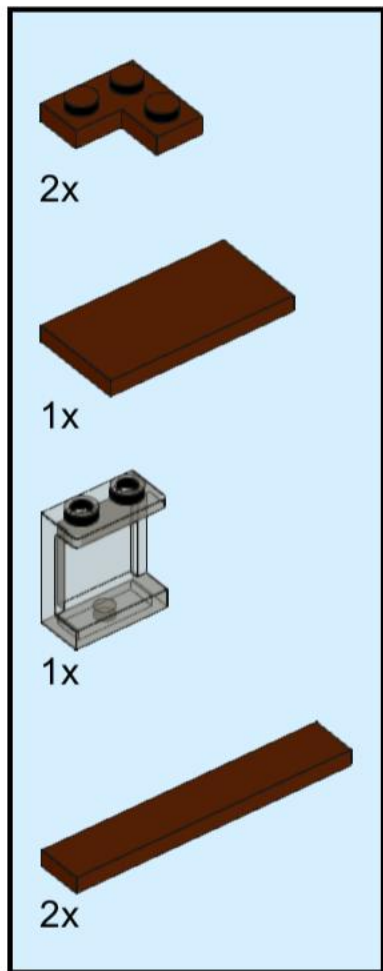
# 12



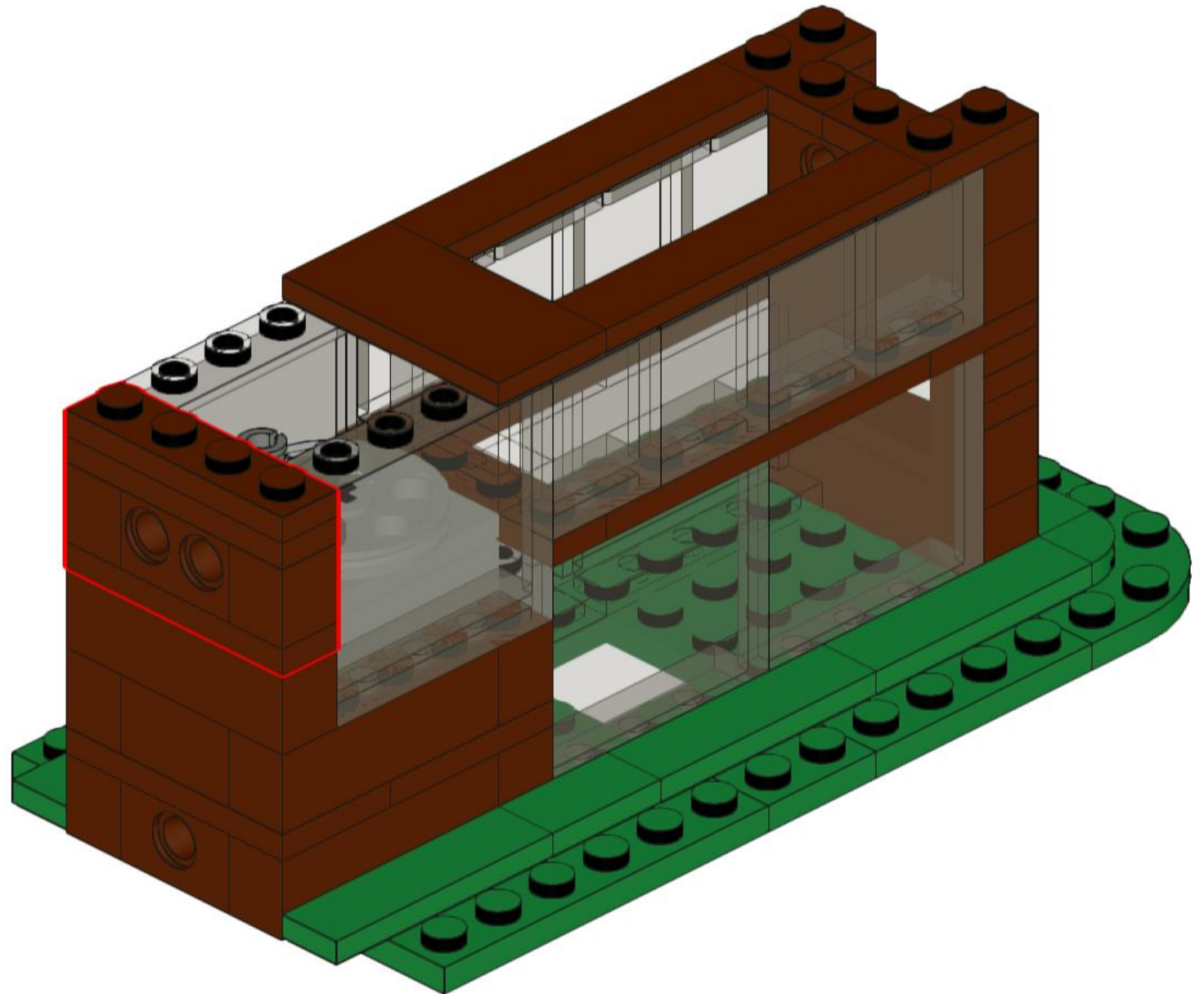
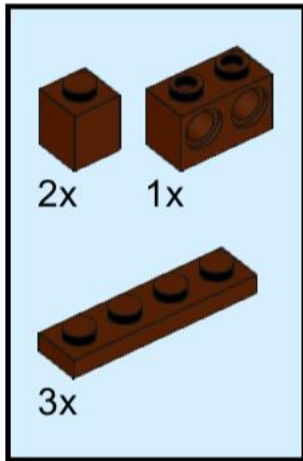
# 13



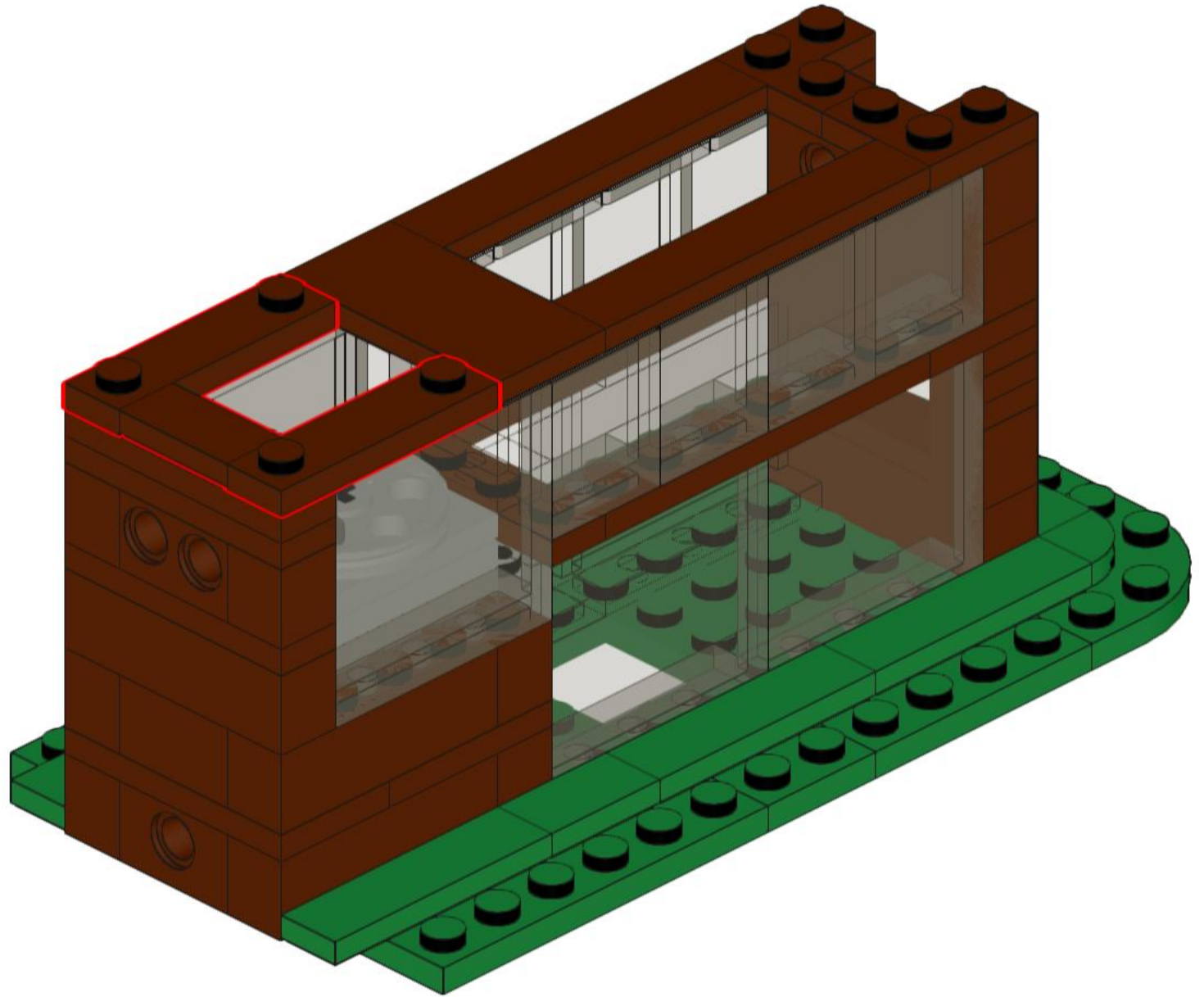
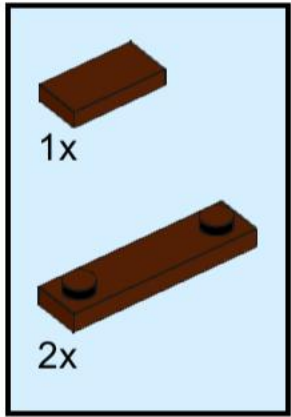
# 14



# 15

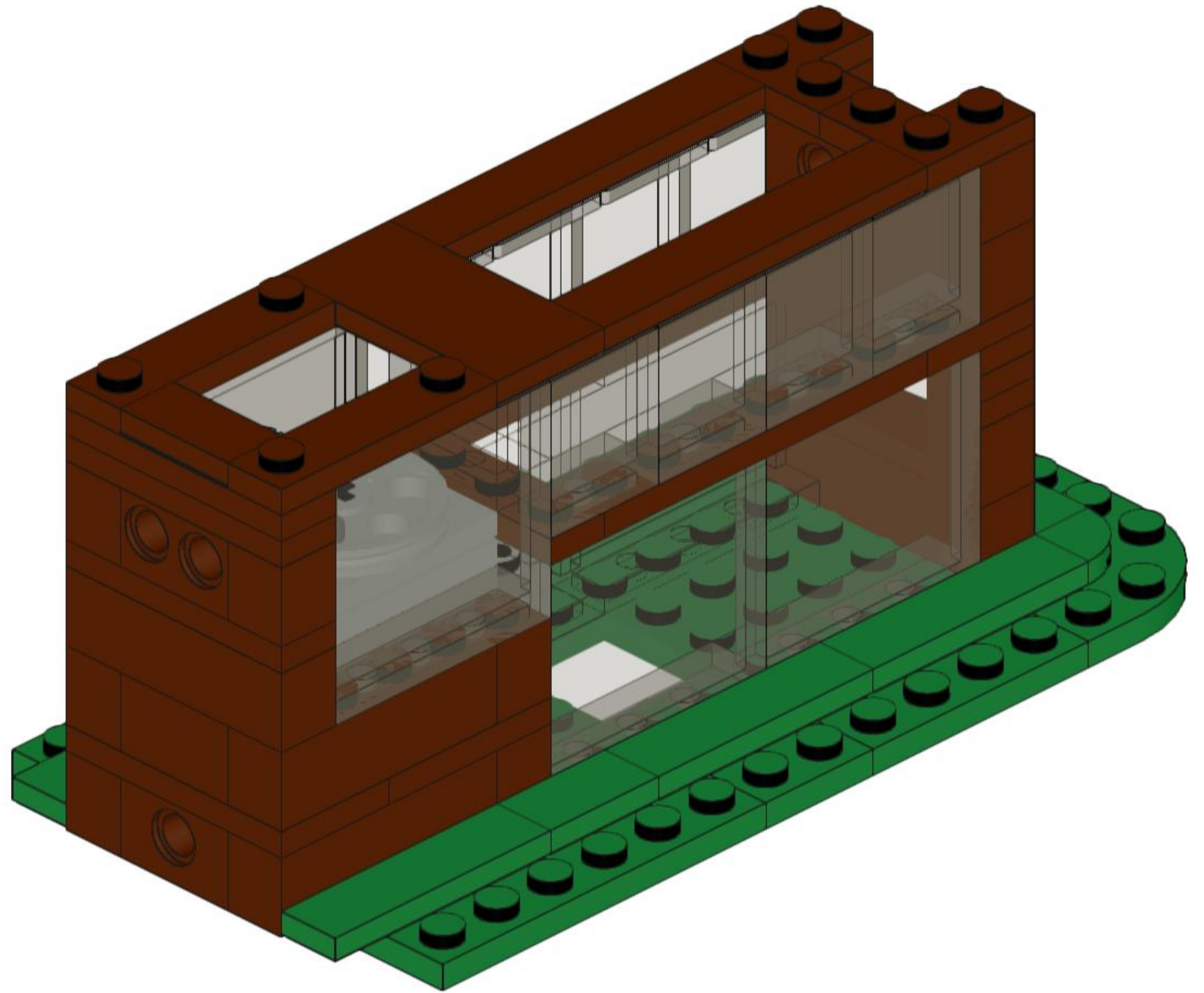


# 16

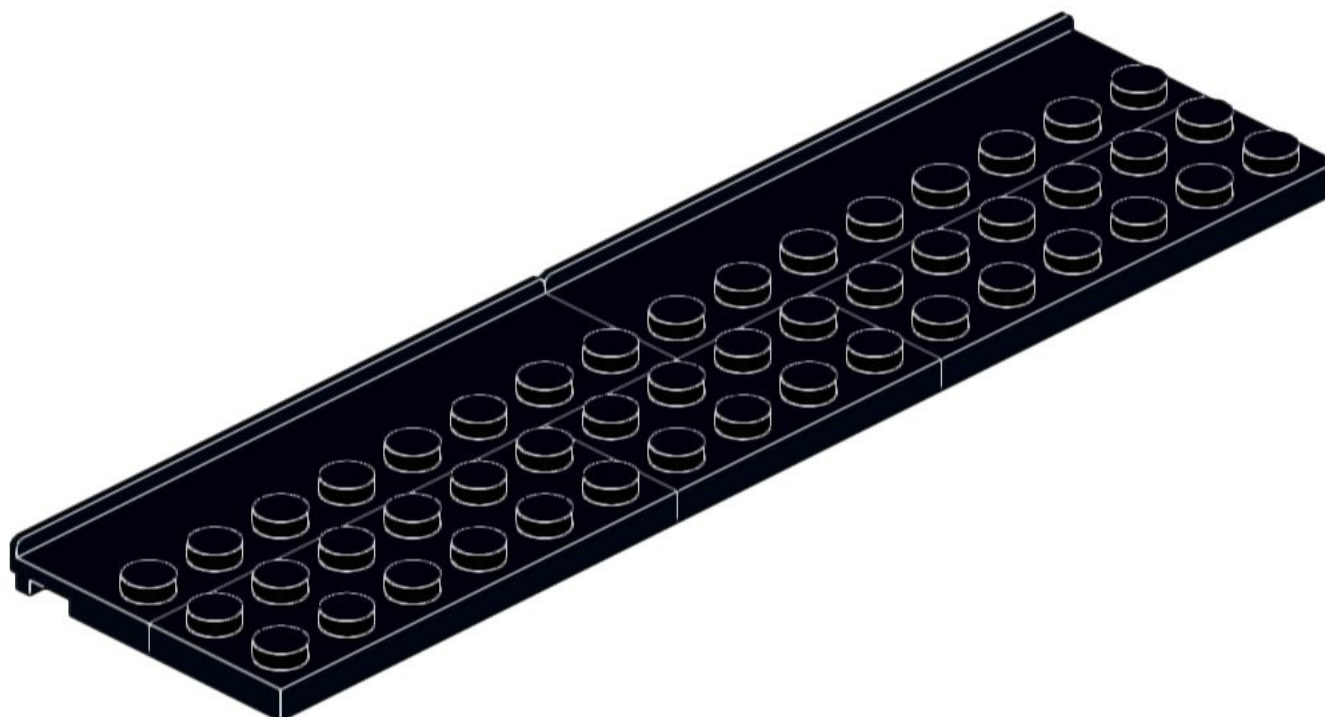
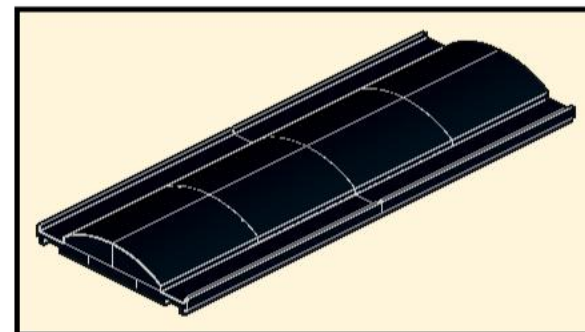
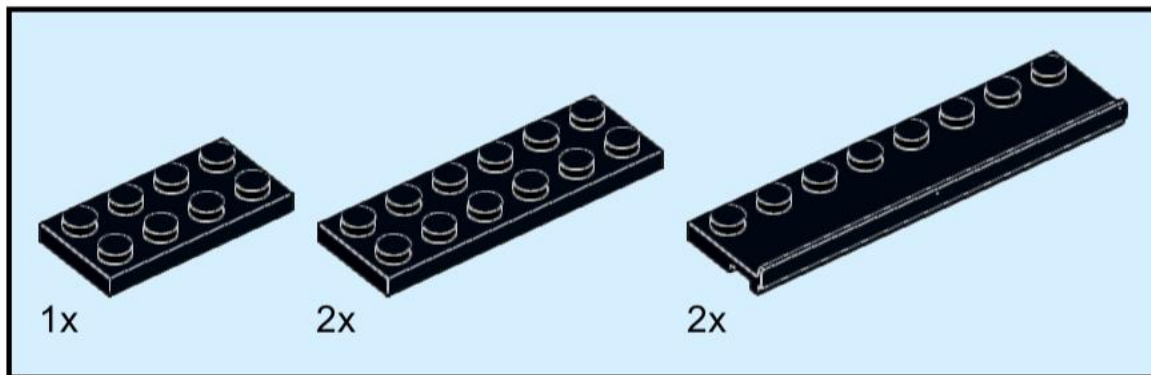




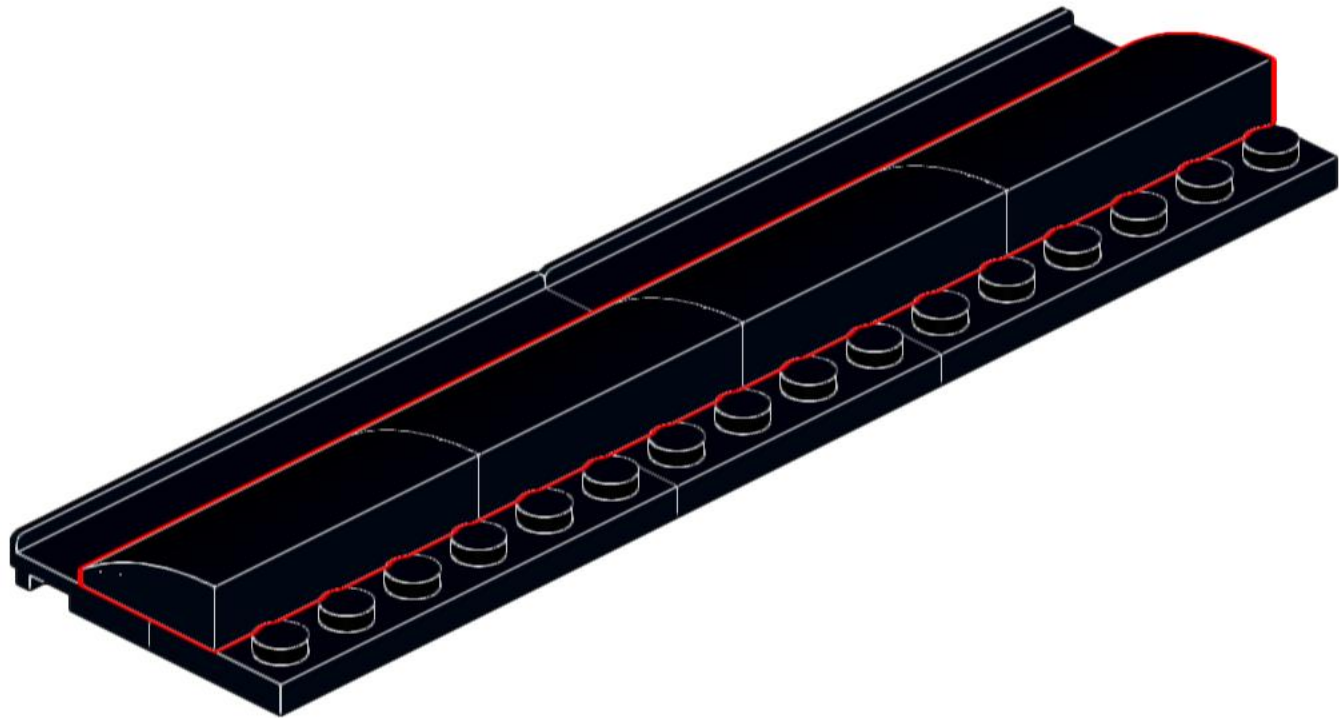
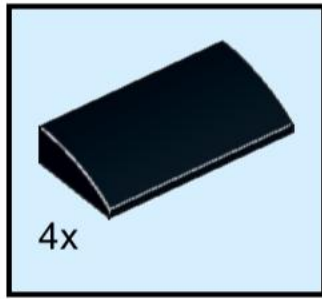
17



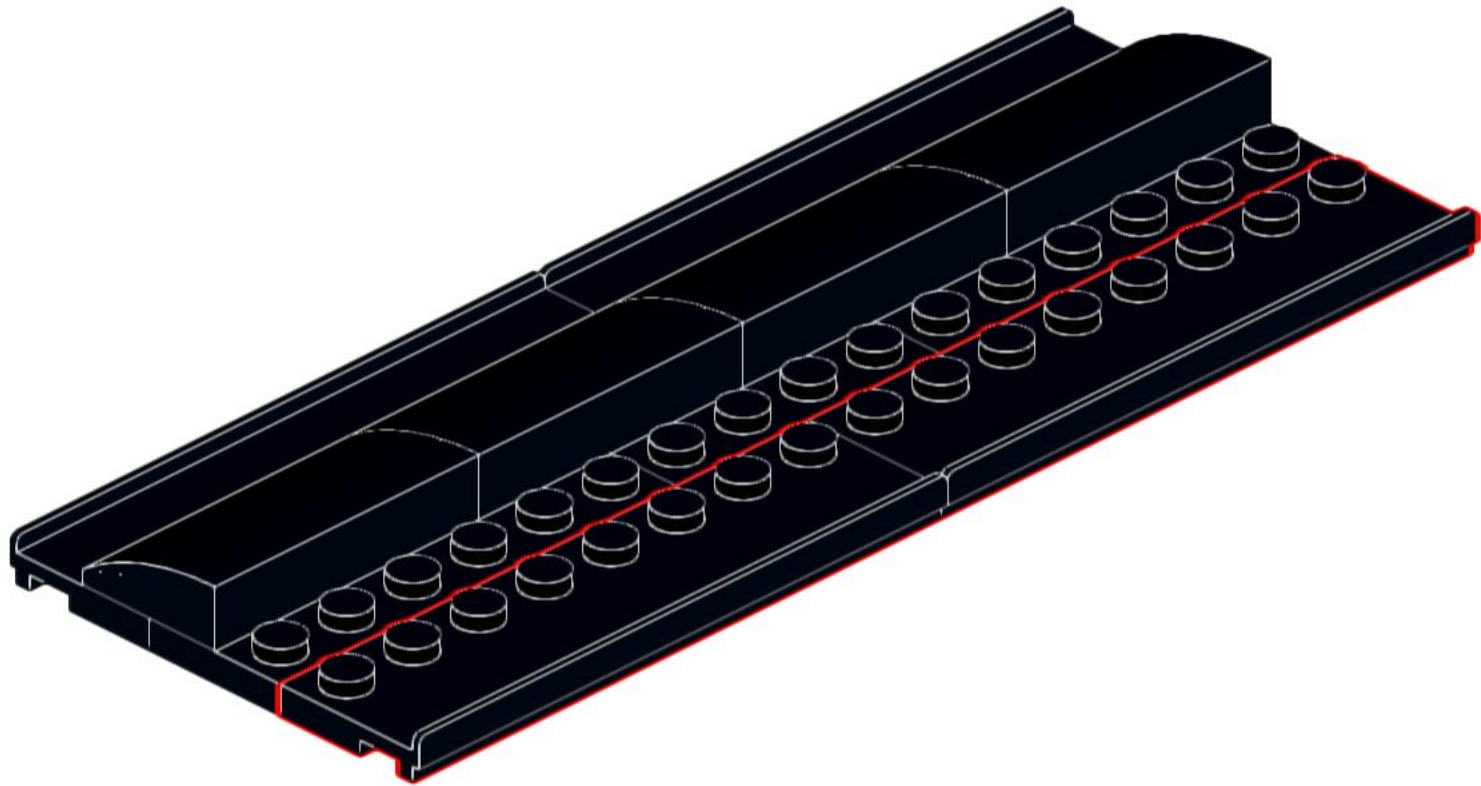
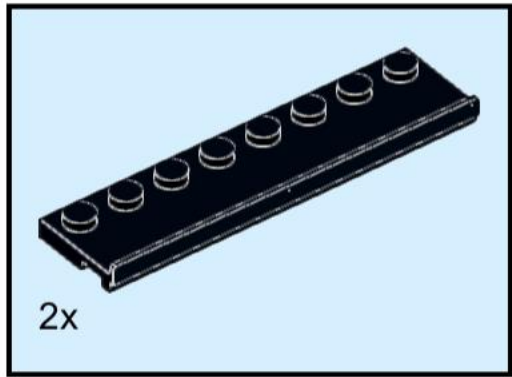
# 18



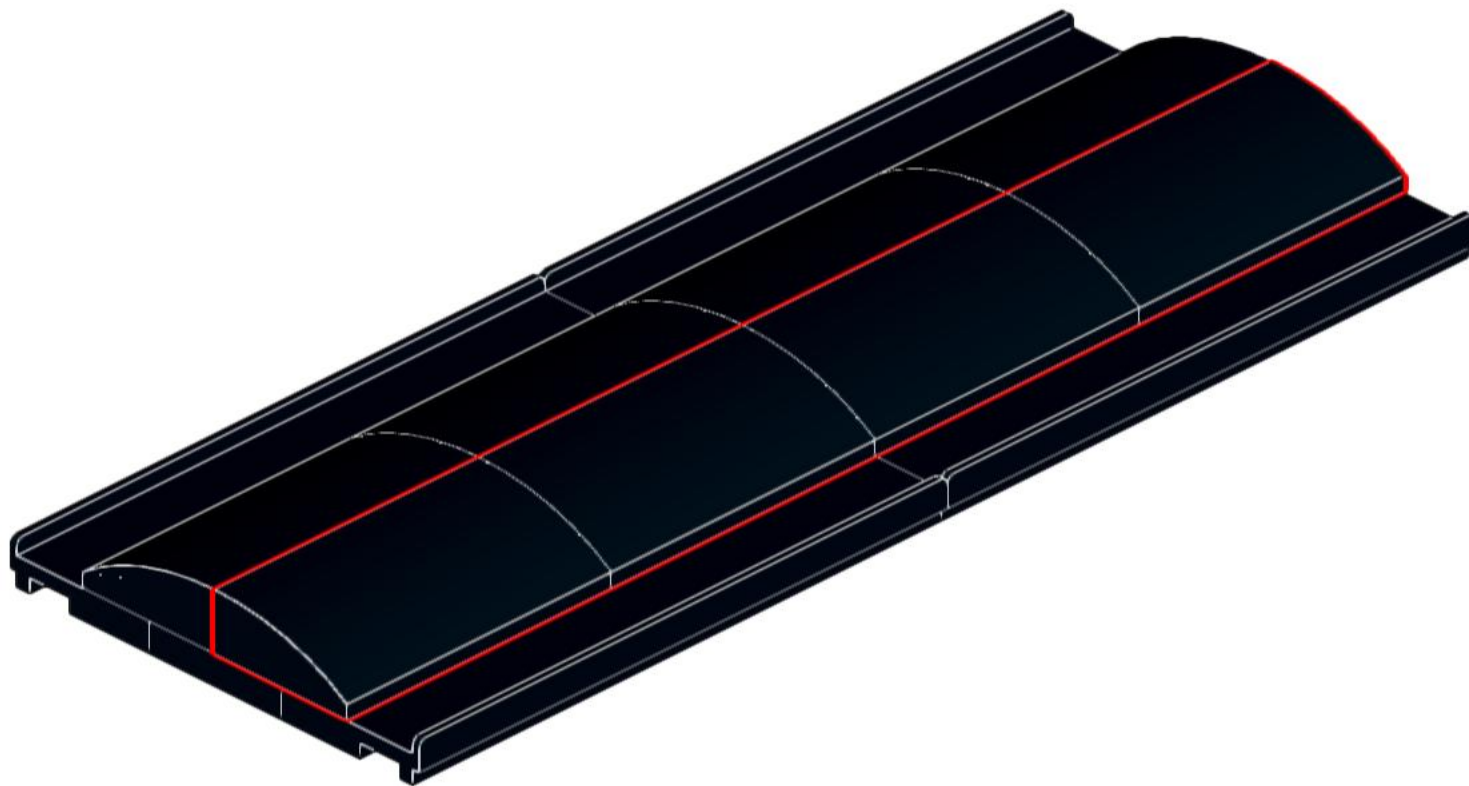
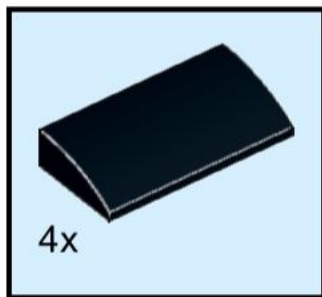
# 19



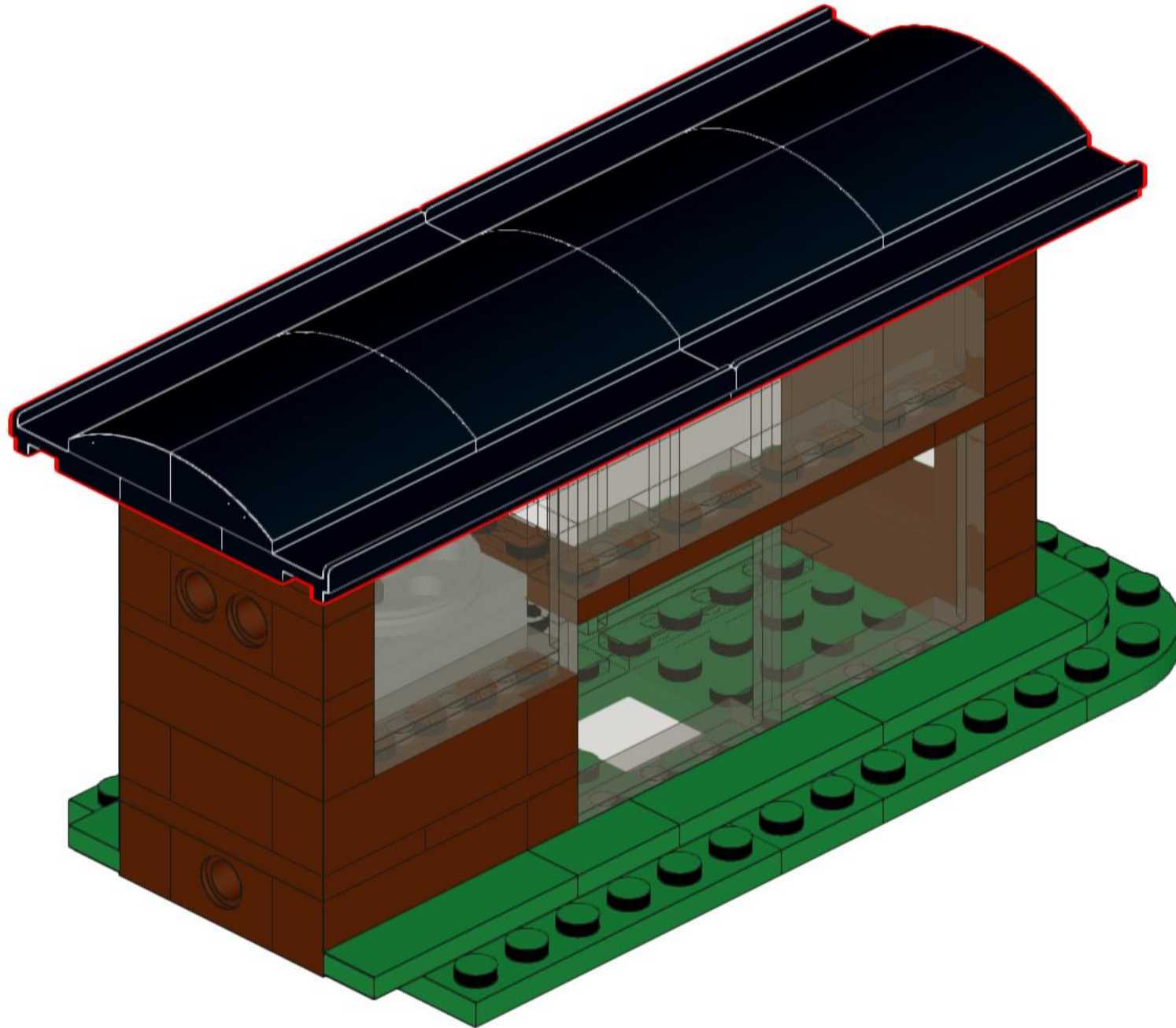
# 20



# 21



22





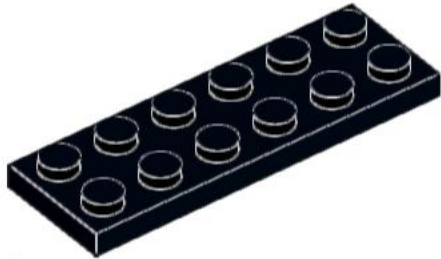
1x  
32062  
Black



8x  
88930  
Black



1x  
3020  
Black



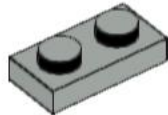
2x  
3795  
Black



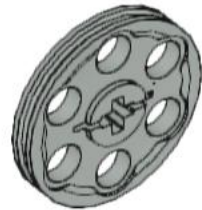
4x  
30586  
Black



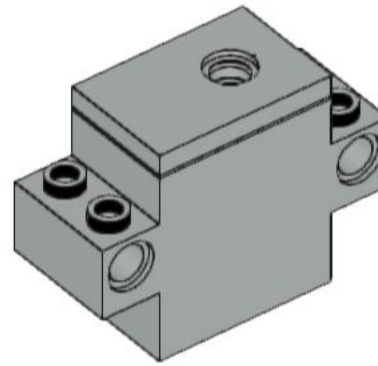
2x  
32002  
Dark Bluish Gray



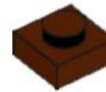
1x  
3023  
Light Gray



1x  
4185  
Light Gray



1x



2x  
3024  
Reddish Brown



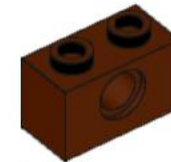
12x  
3005  
Reddish Brown



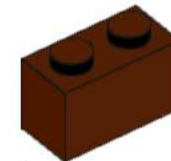
2x  
3069b  
Reddish Brown



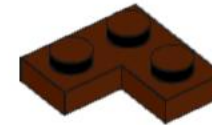
1x  
32000  
Reddish Brown



2x  
3700  
Reddish Brown



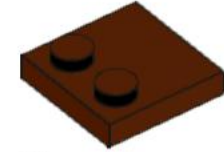
1x  
3004  
Reddish Brown



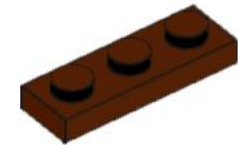
2x  
2420  
Reddish Brown



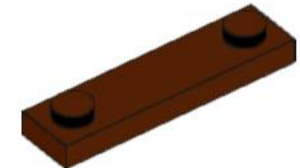
2x  
3022  
Reddish Brown



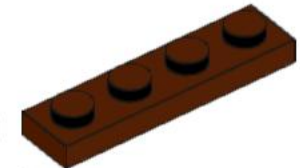
1x  
33909  
Reddish Brown



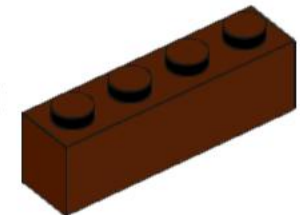
2x  
3623  
Reddish Brown



2x  
92593  
Reddish Brown



6x  
3710  
Reddish Brown



6x  
3010  
Reddish Brown



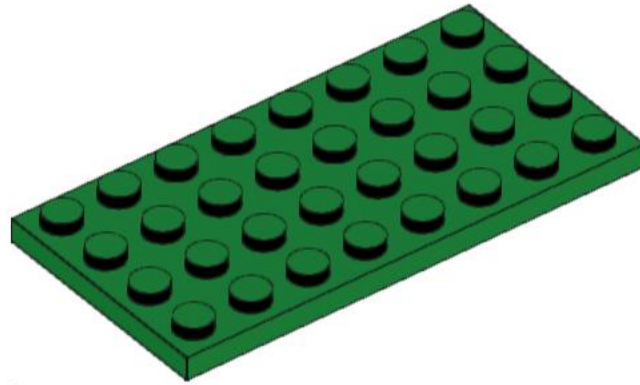
1x  
87079  
Reddish Brown



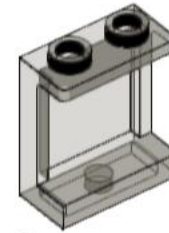
2x  
25269  
Green



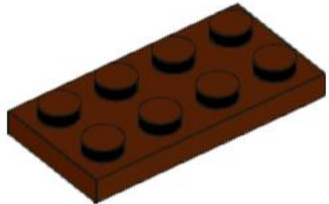
2x  
3069b  
Green



1x  
3035  
Green



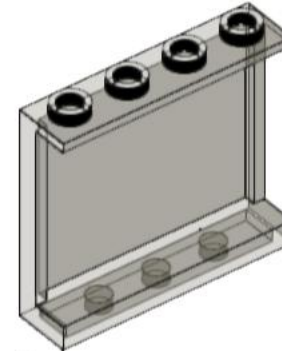
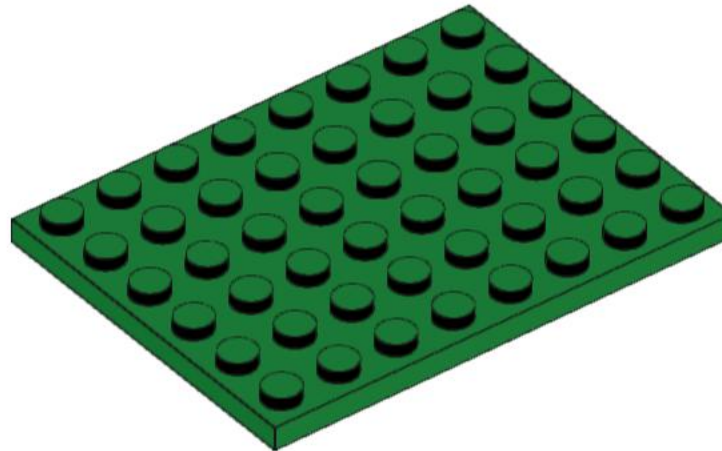
9x  
87552  
Trans-Black



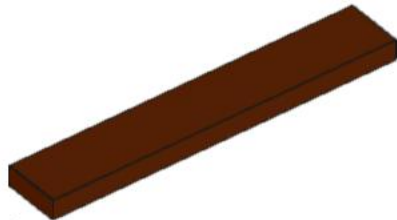
2x  
3020  
Reddish Brown



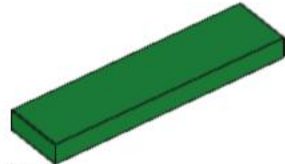
3x  
3021  
Green



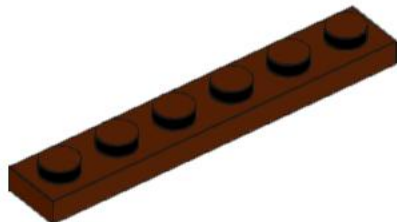
6x  
60581  
Trans-Black



2x  
6636  
Reddish Brown



7x  
2431  
Green



2x  
3666  
Reddish Brown



2x  
30357  
Green

1x  
3036  
Green



Check more information about LEGO track planning, LEGO train automation and more instructions on [www.mattzobricks.com](http://www.mattzobricks.com)

