

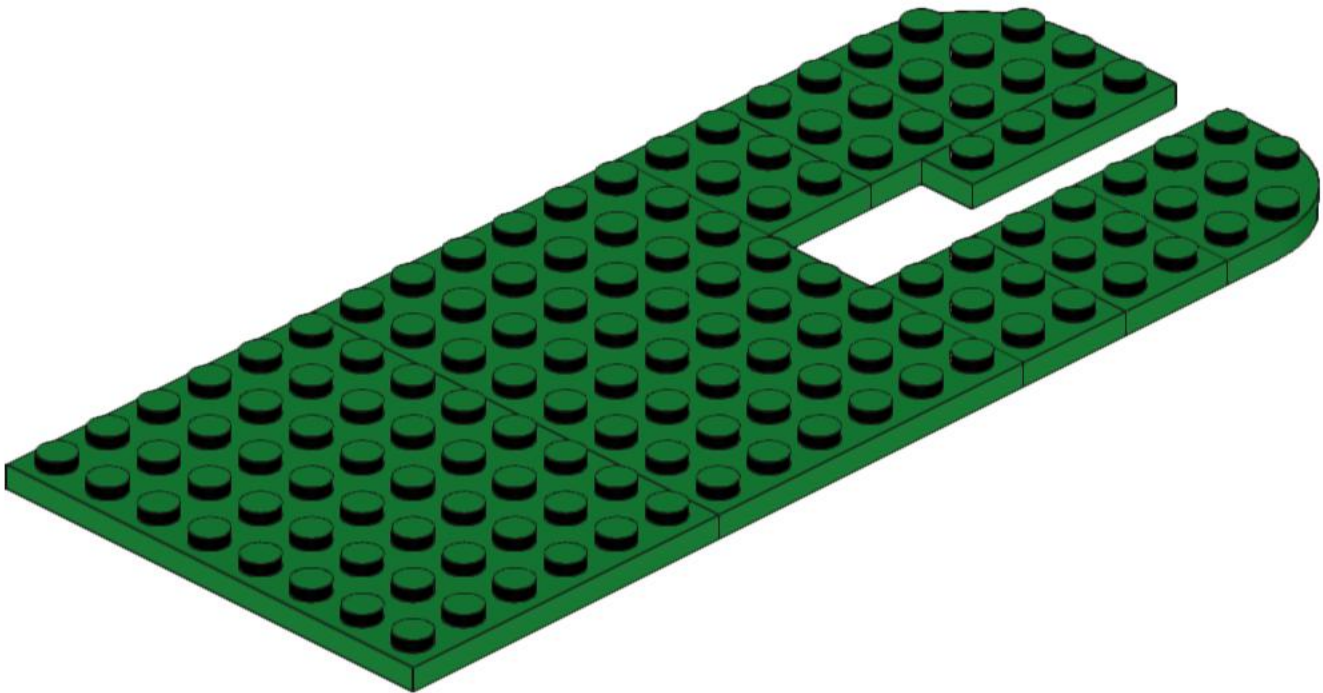
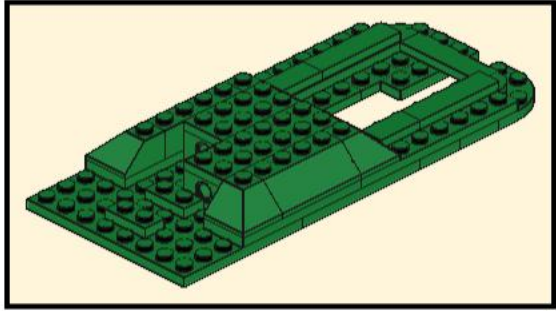
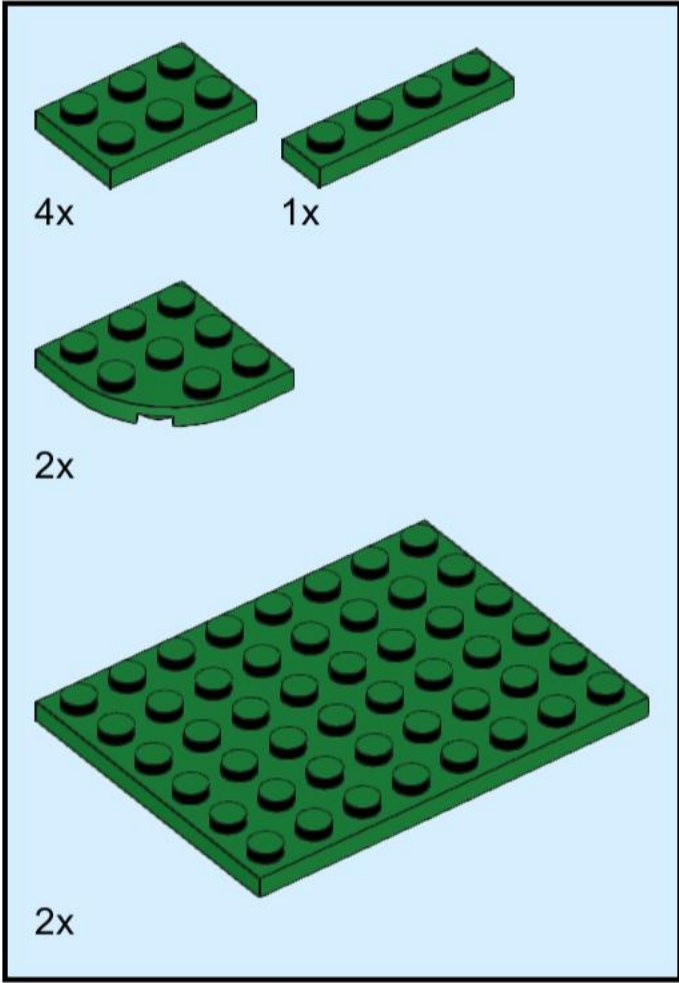
Formhauptsignal

Semaphore Stop Signal

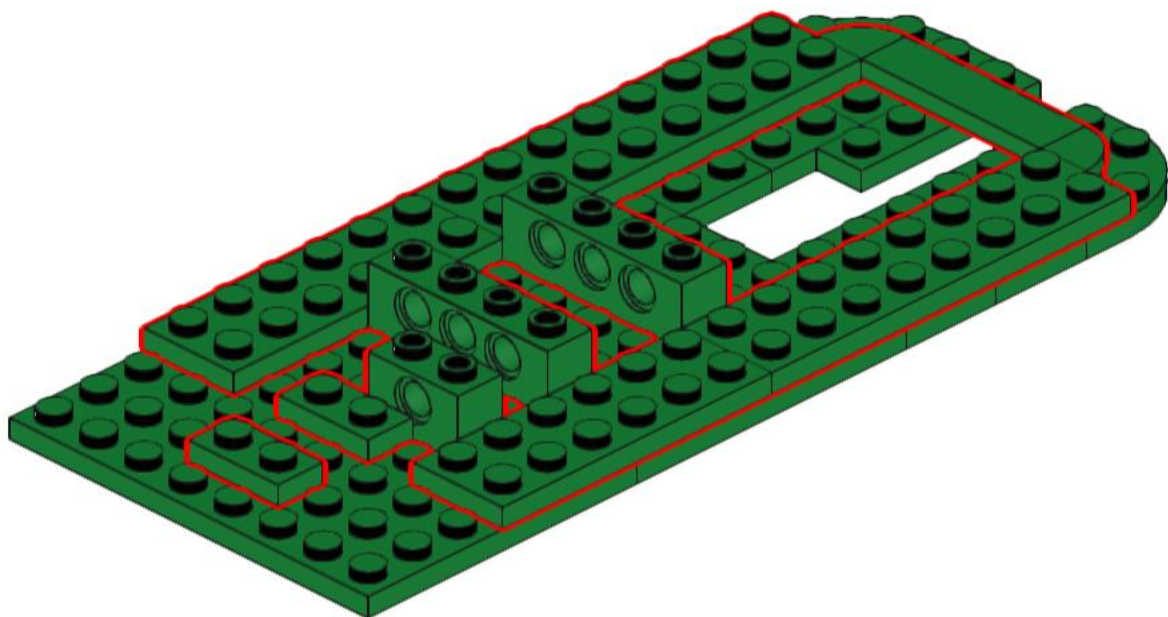
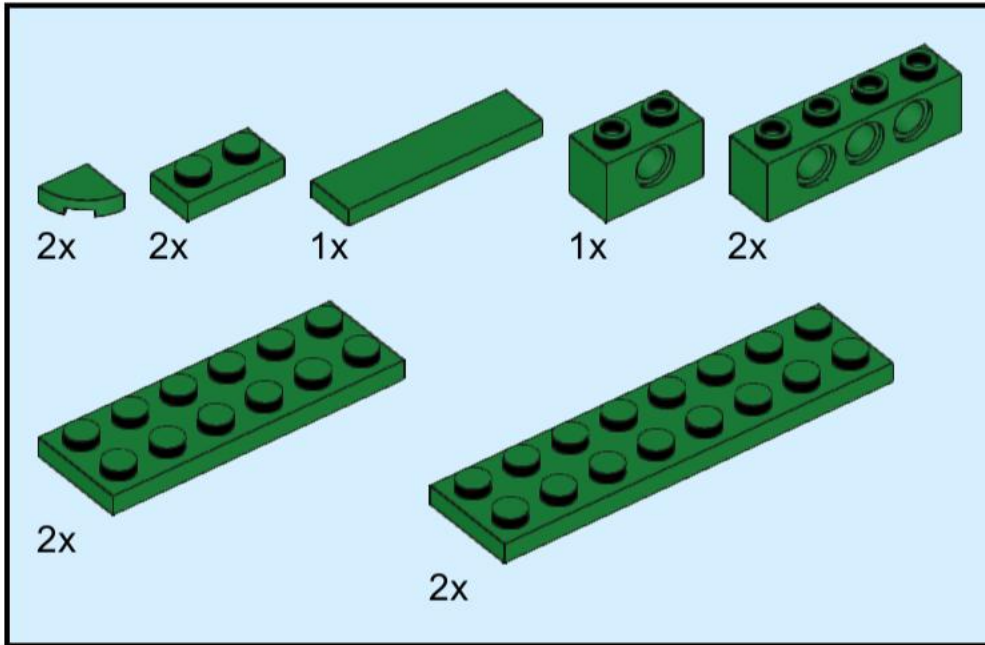
V1.0



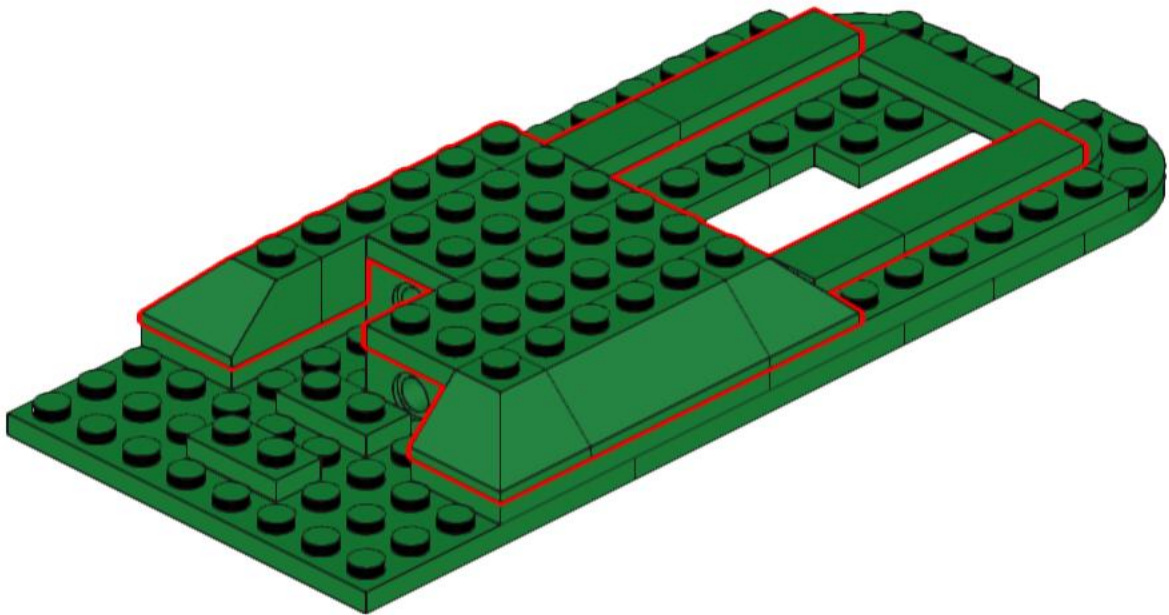
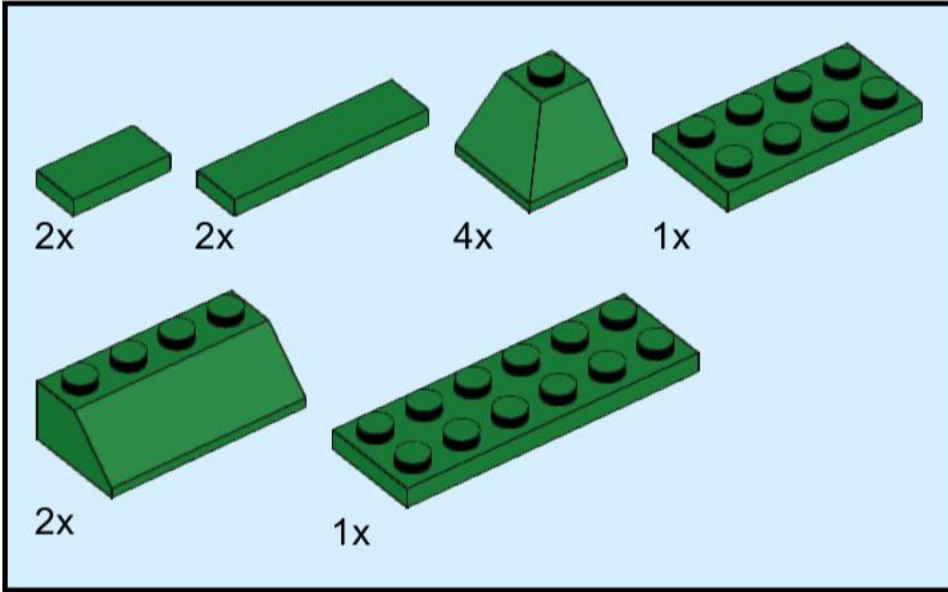
1



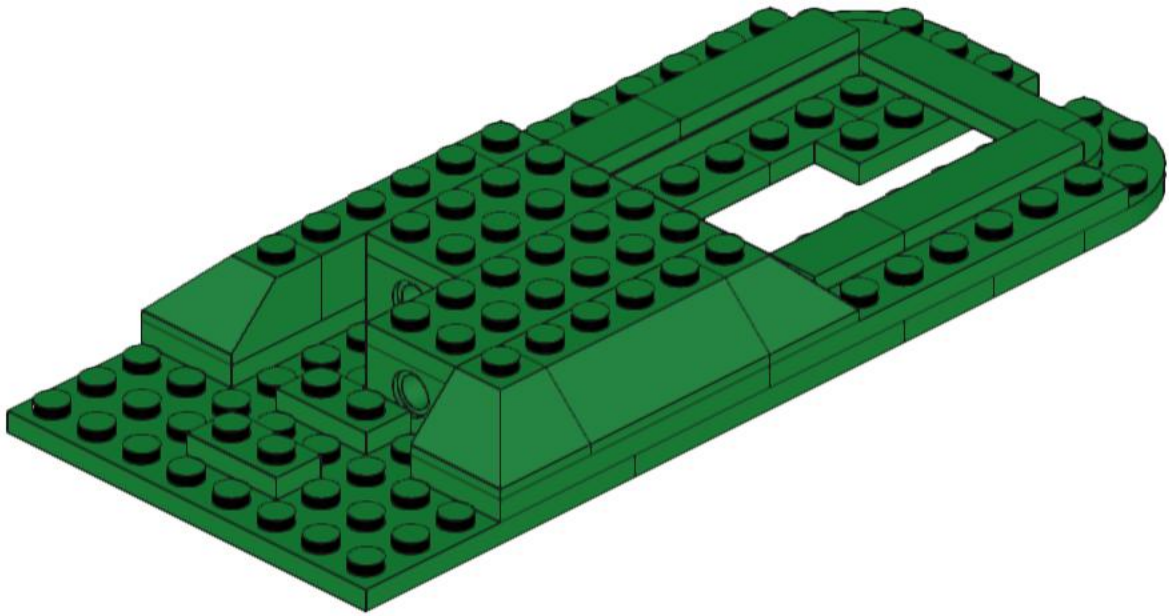
2



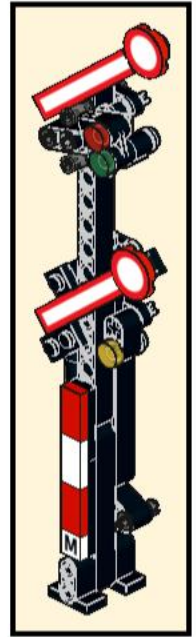
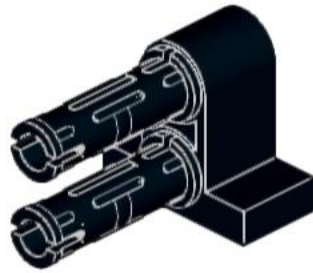
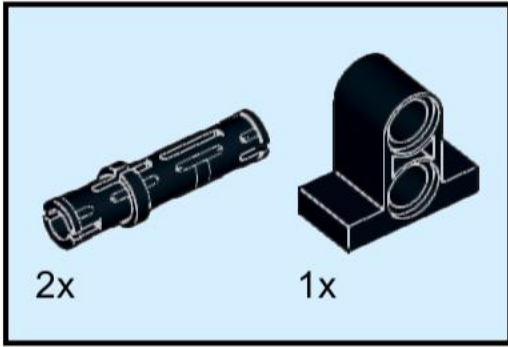
3



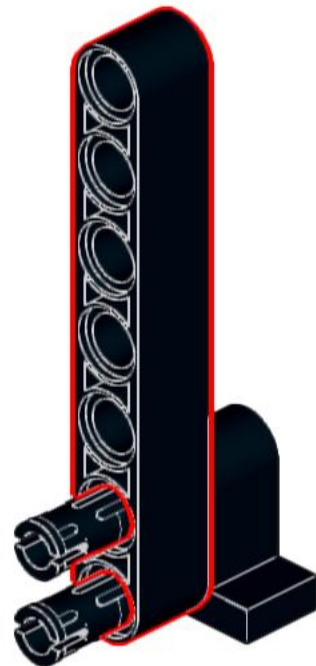
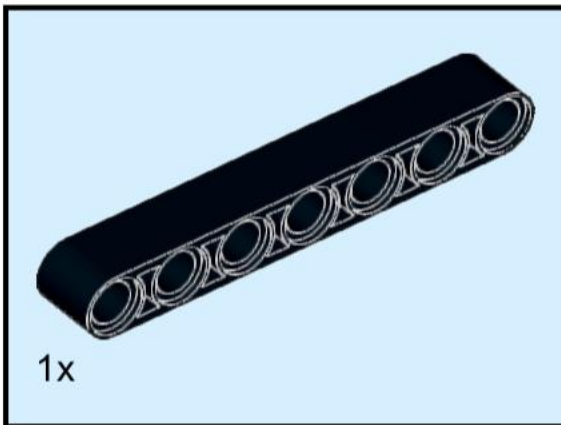
4



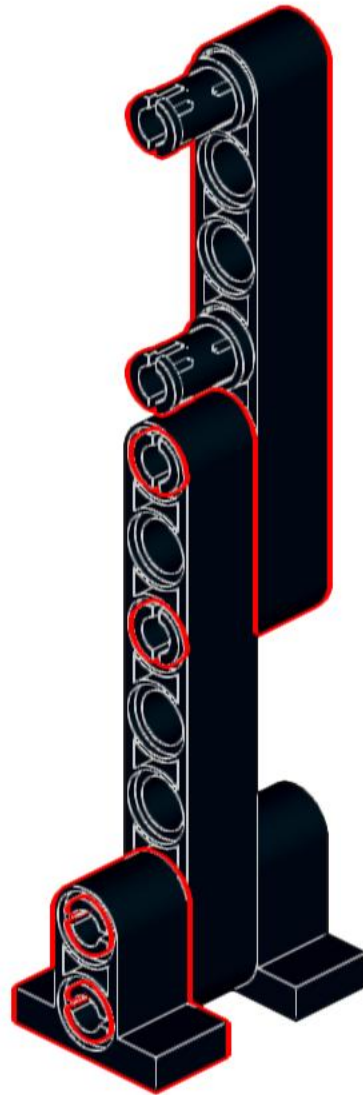
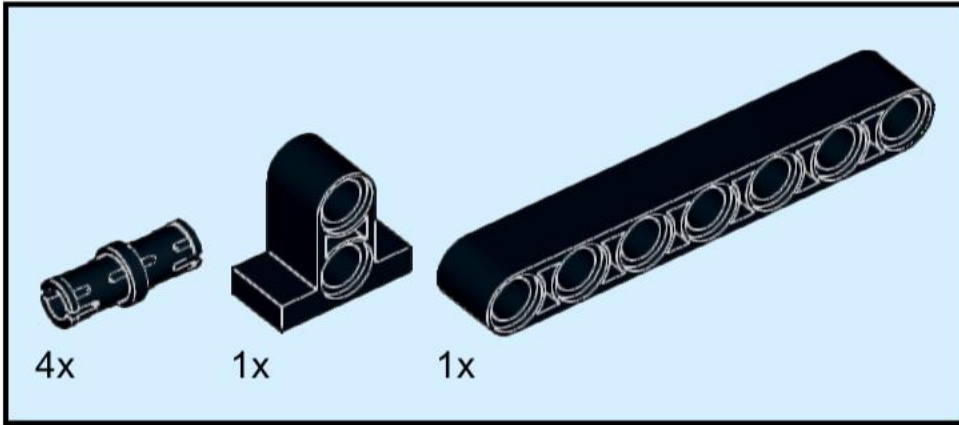
5



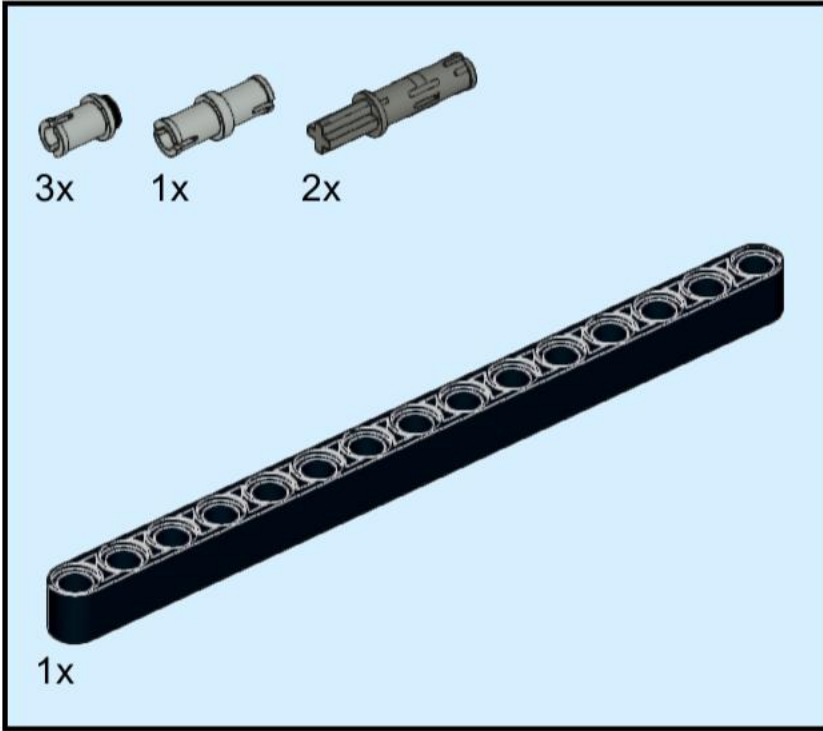
6



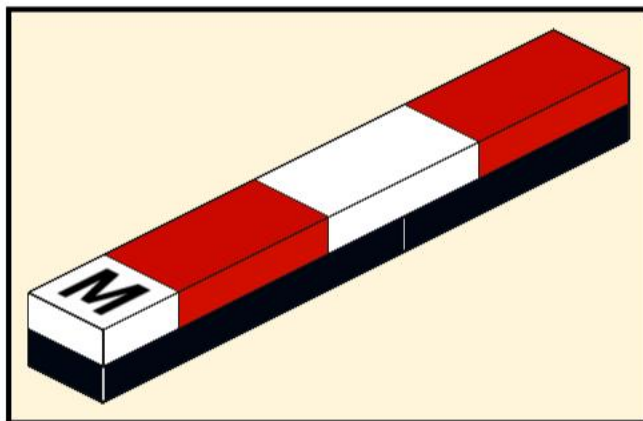
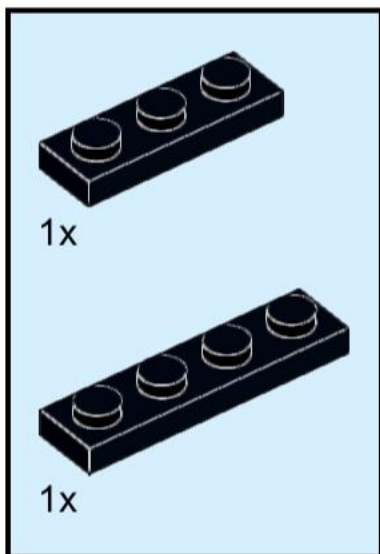
7



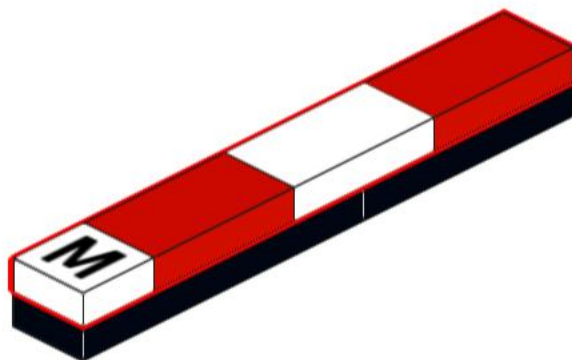
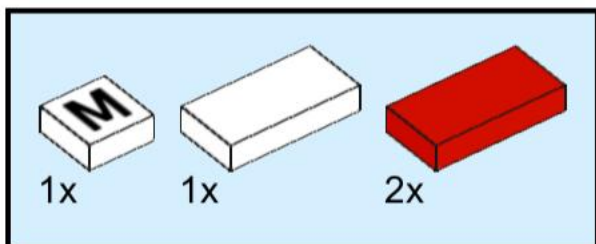
8



9



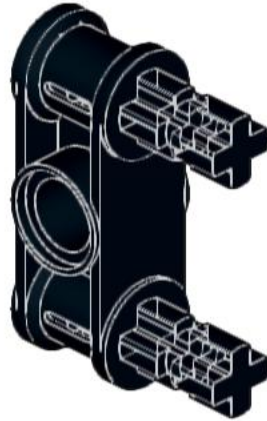
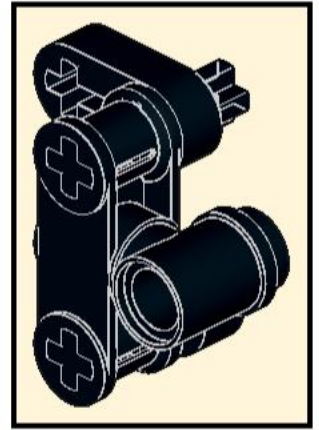
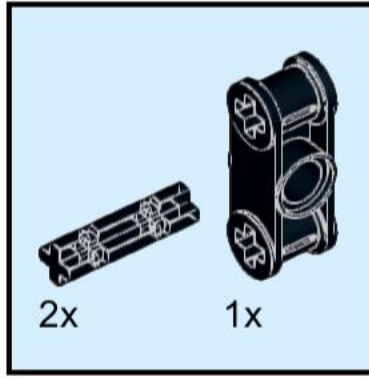
10



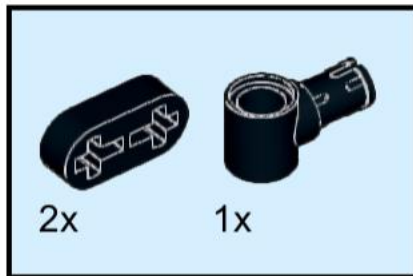
11



12



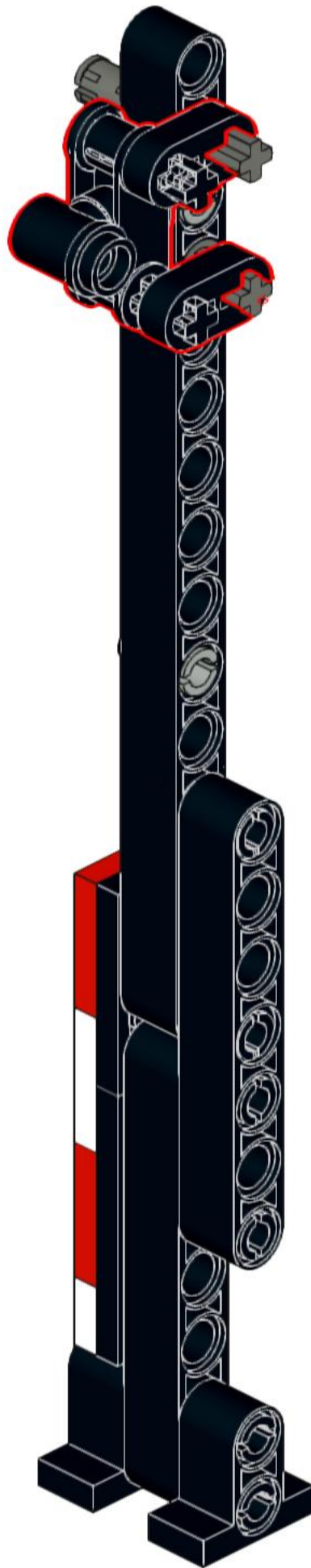
13



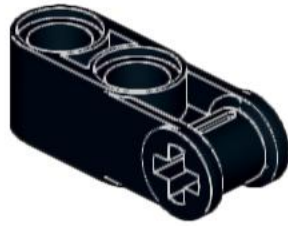
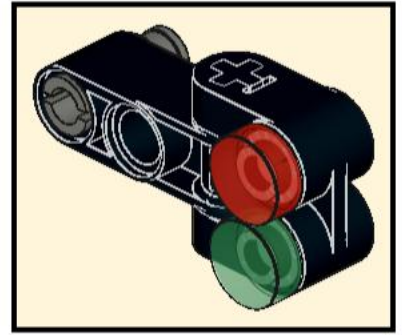
14



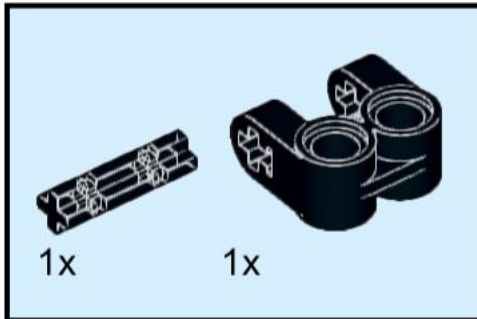
15



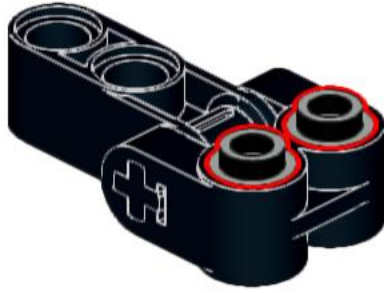
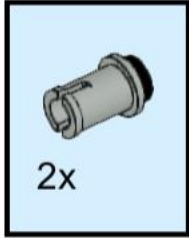
16



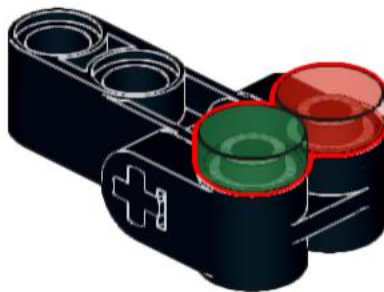
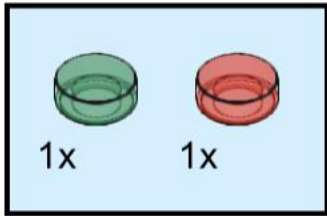
17



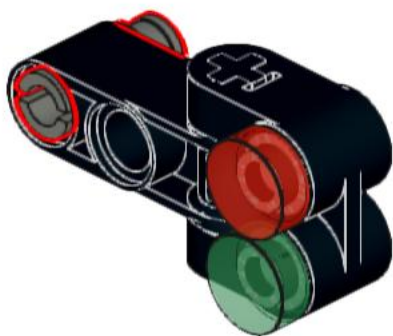
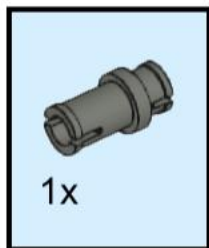
18



19



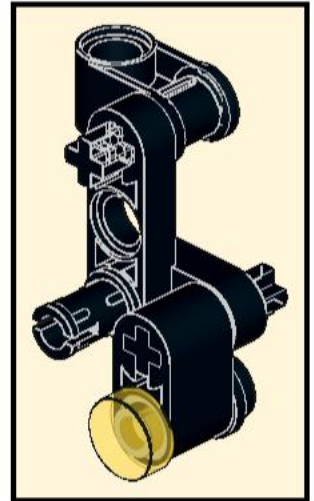
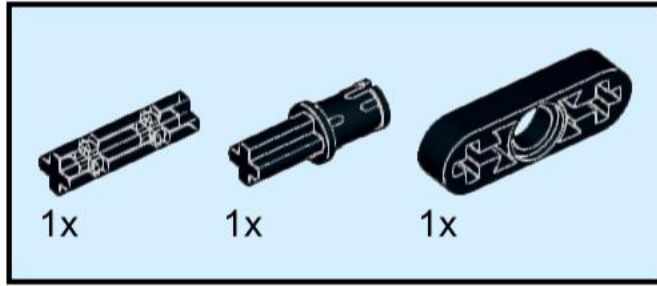
20



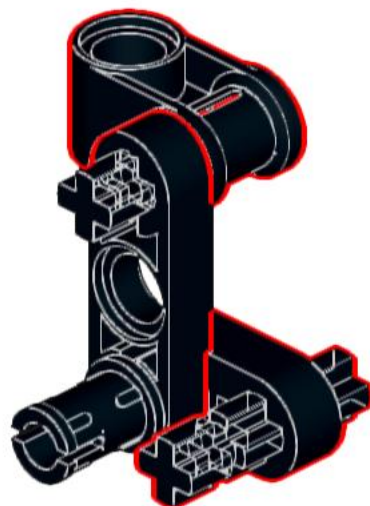
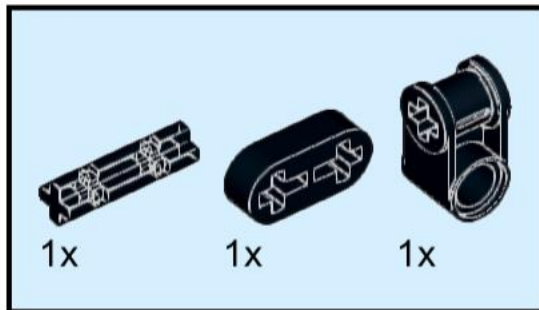
21



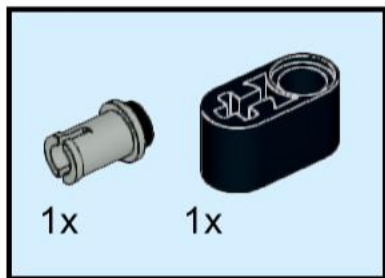
22



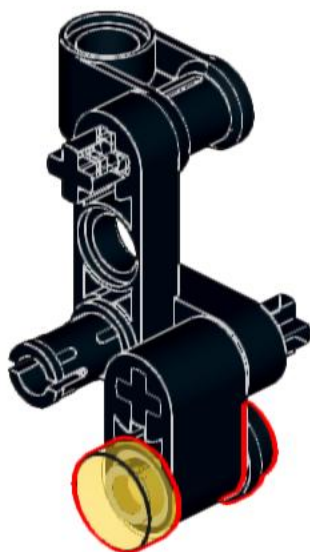
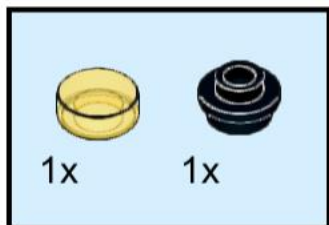
23



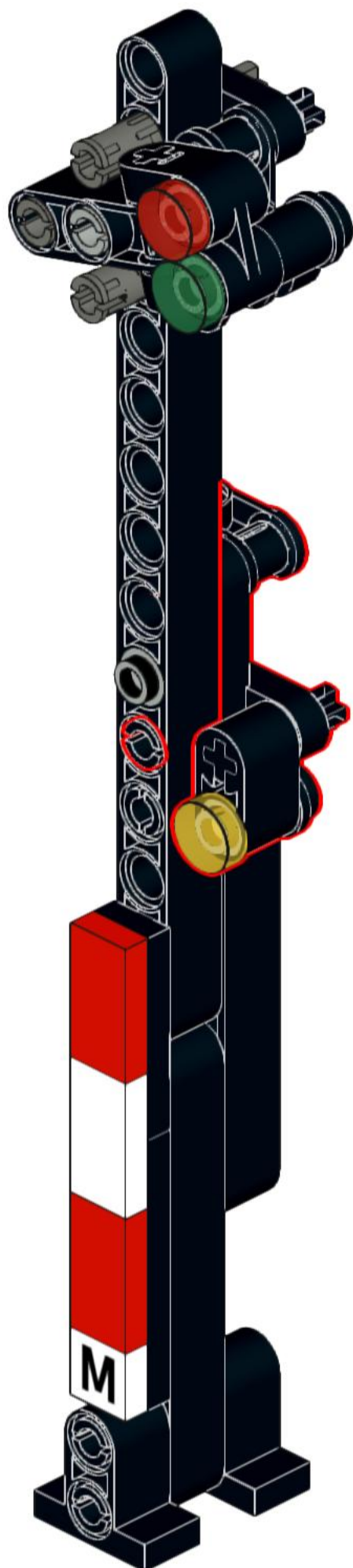
24



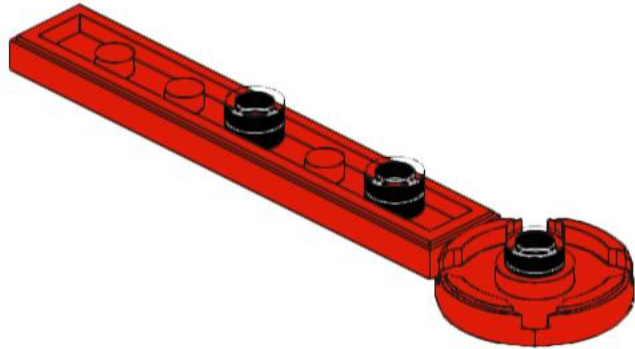
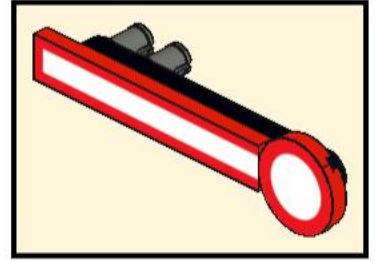
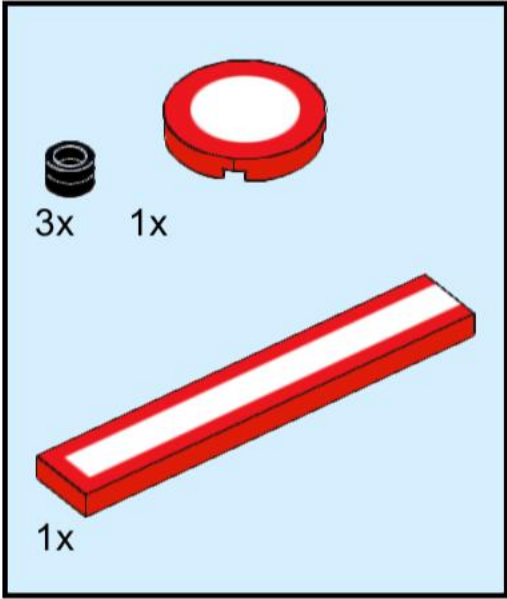
25



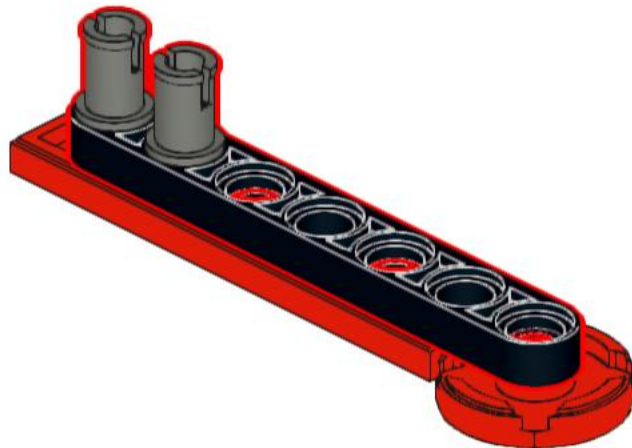
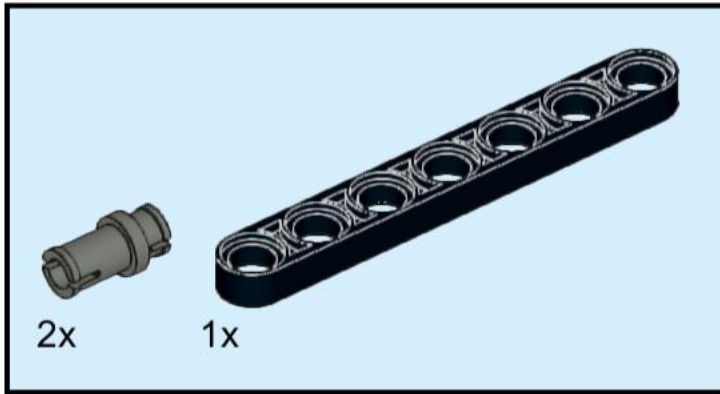
26



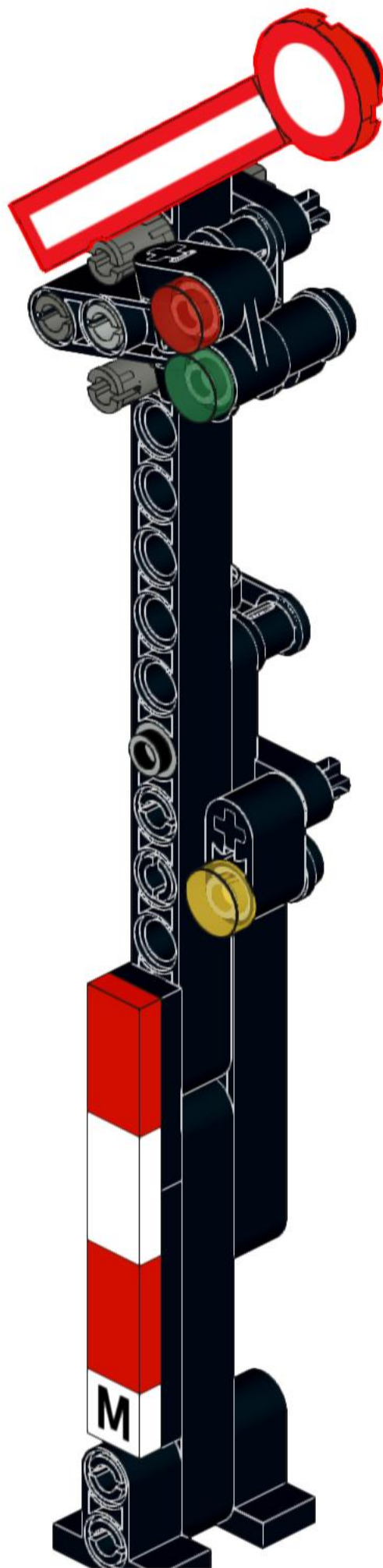
27



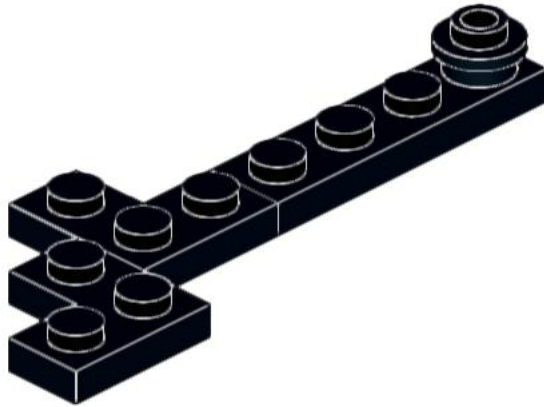
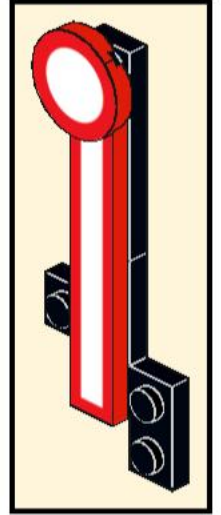
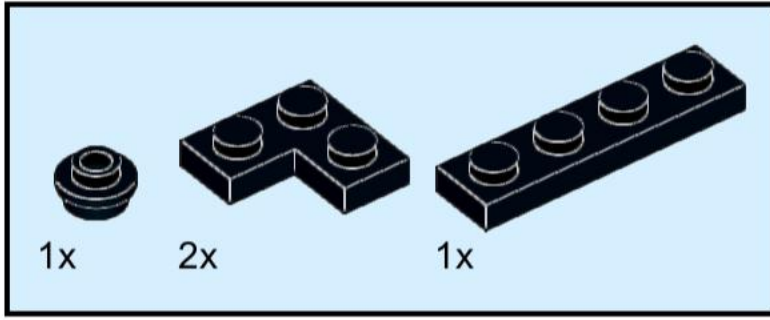
28



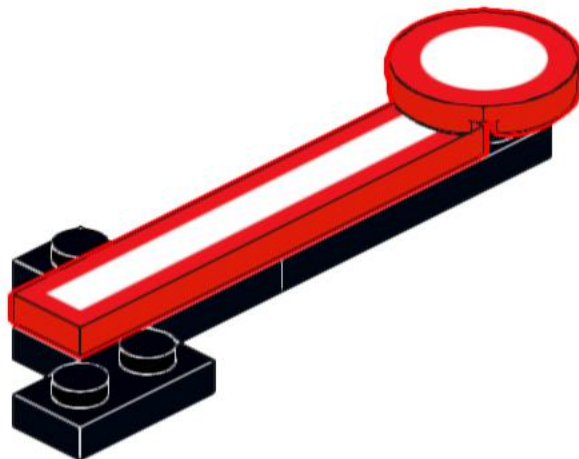
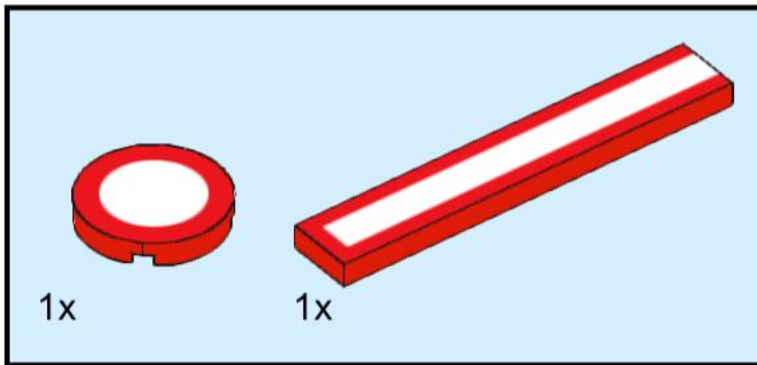
29



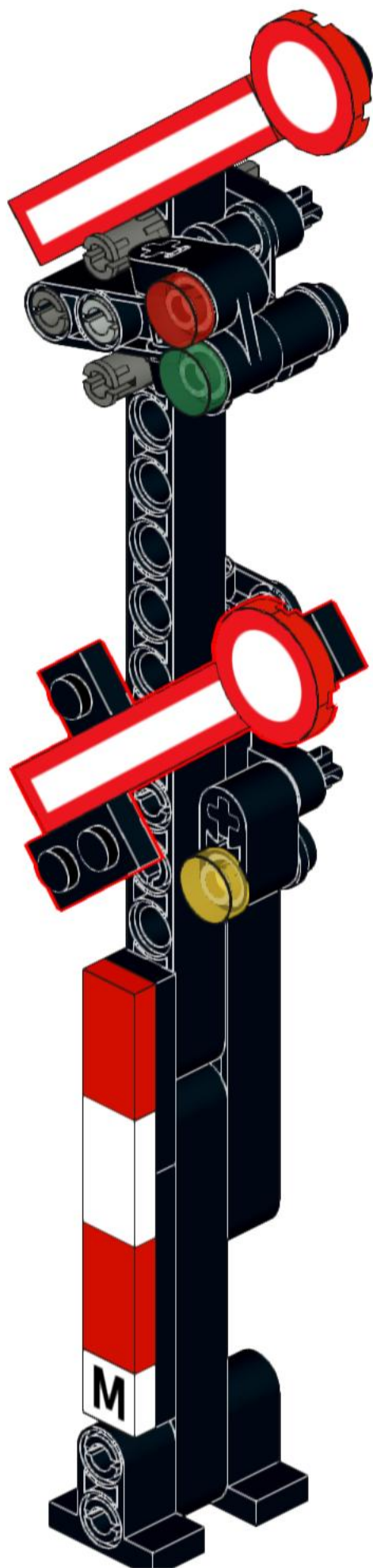
30



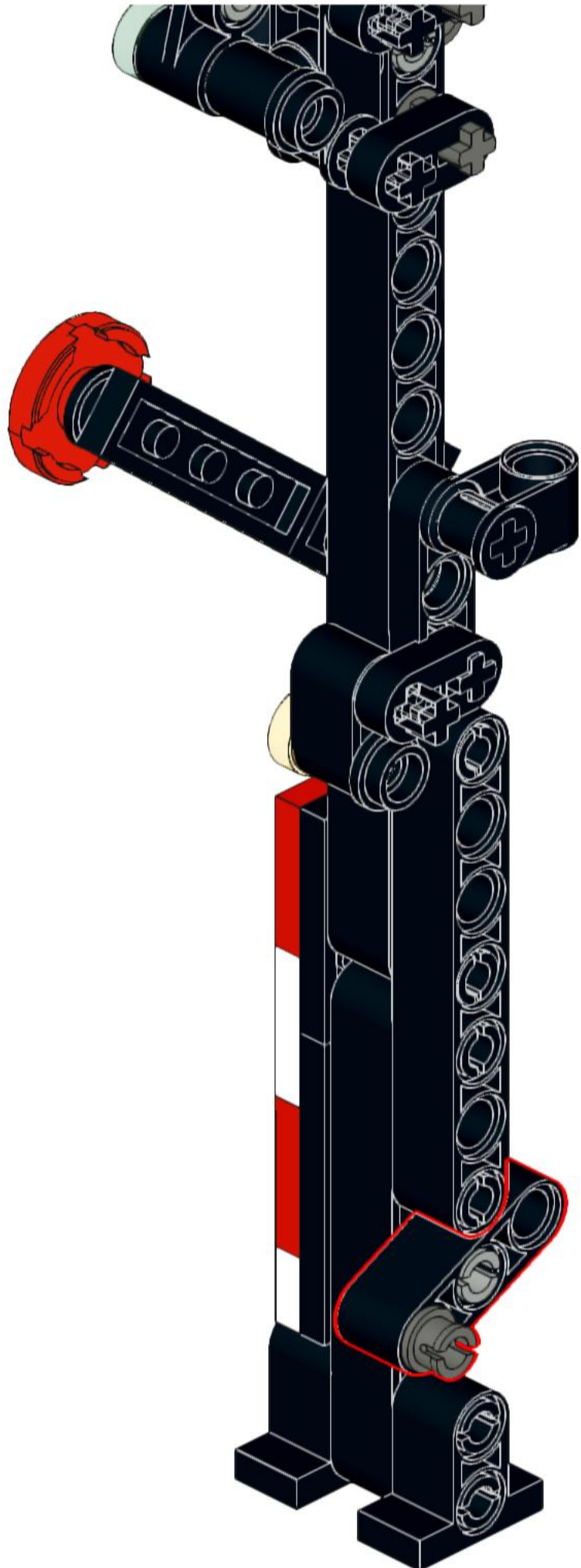
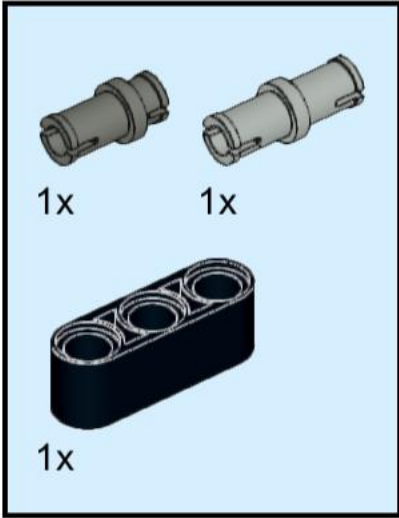
31



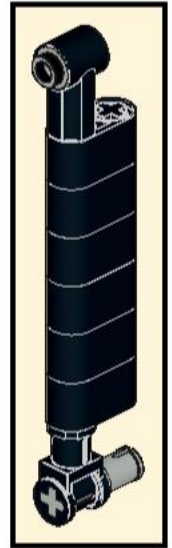
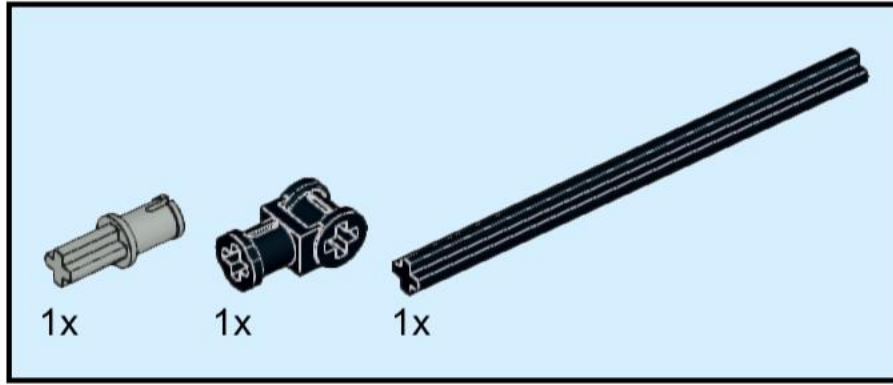
32



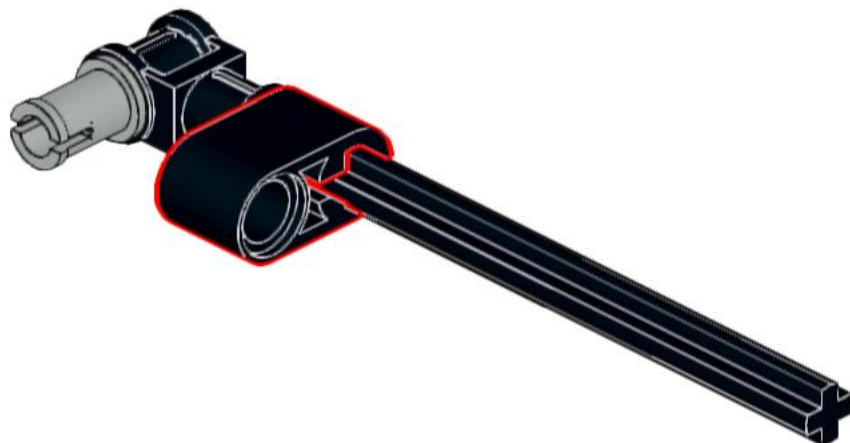
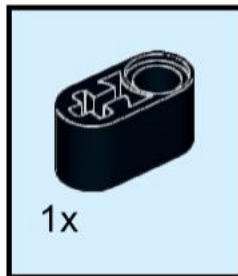
33



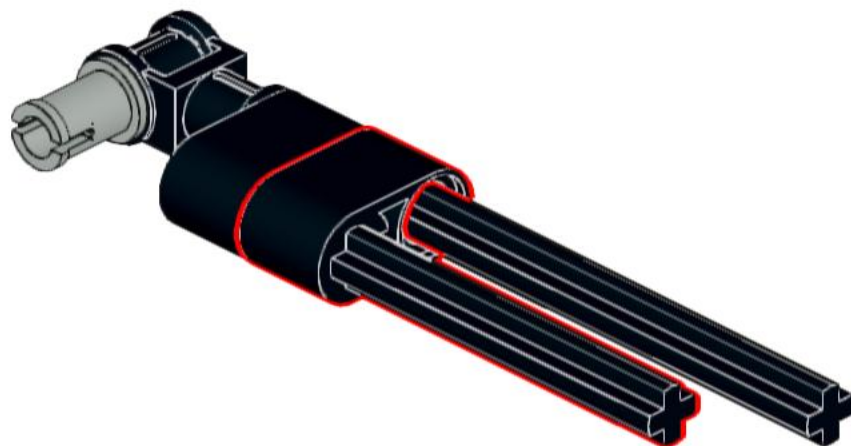
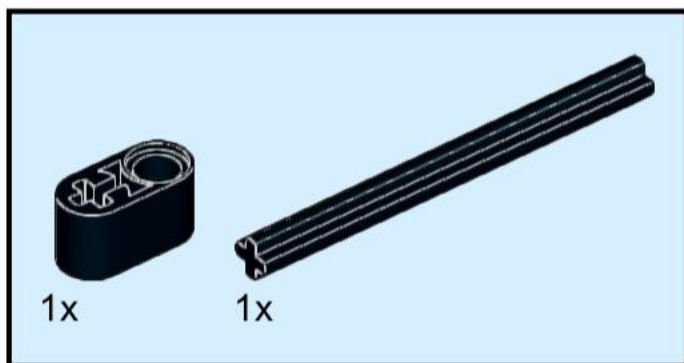
34



35



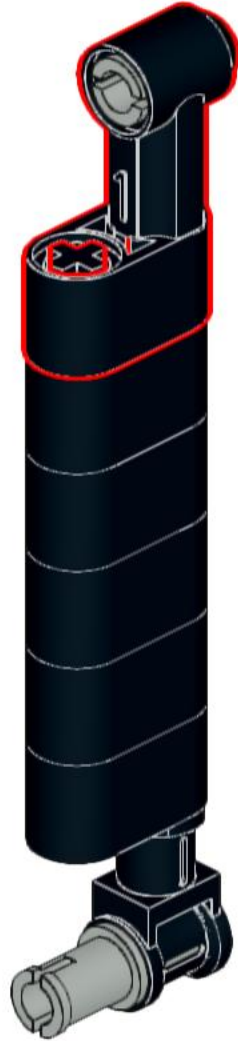
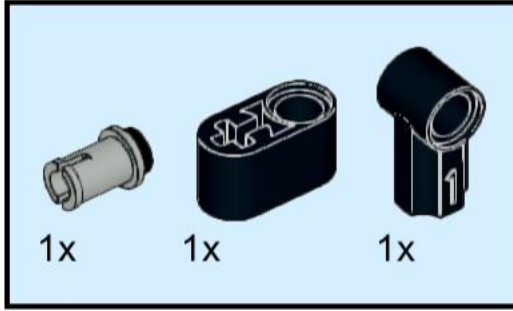
36



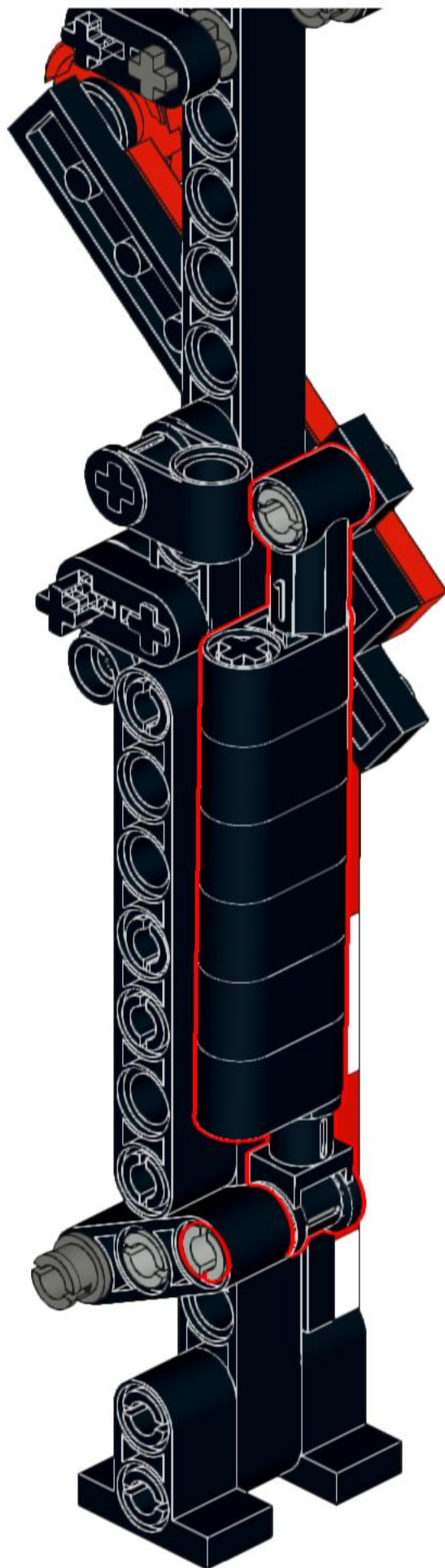
37



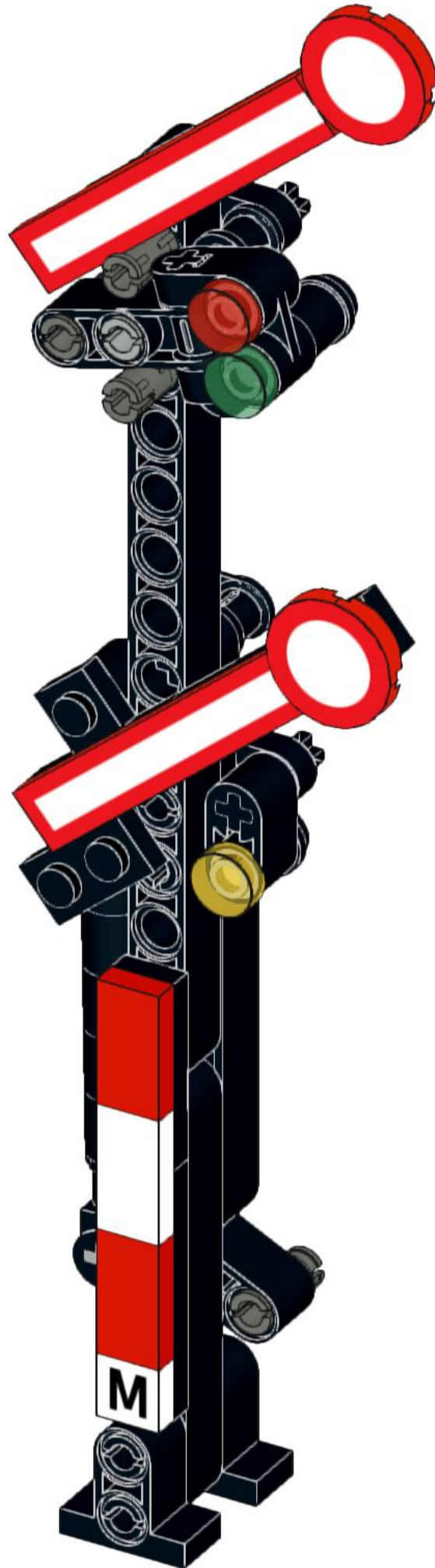
38



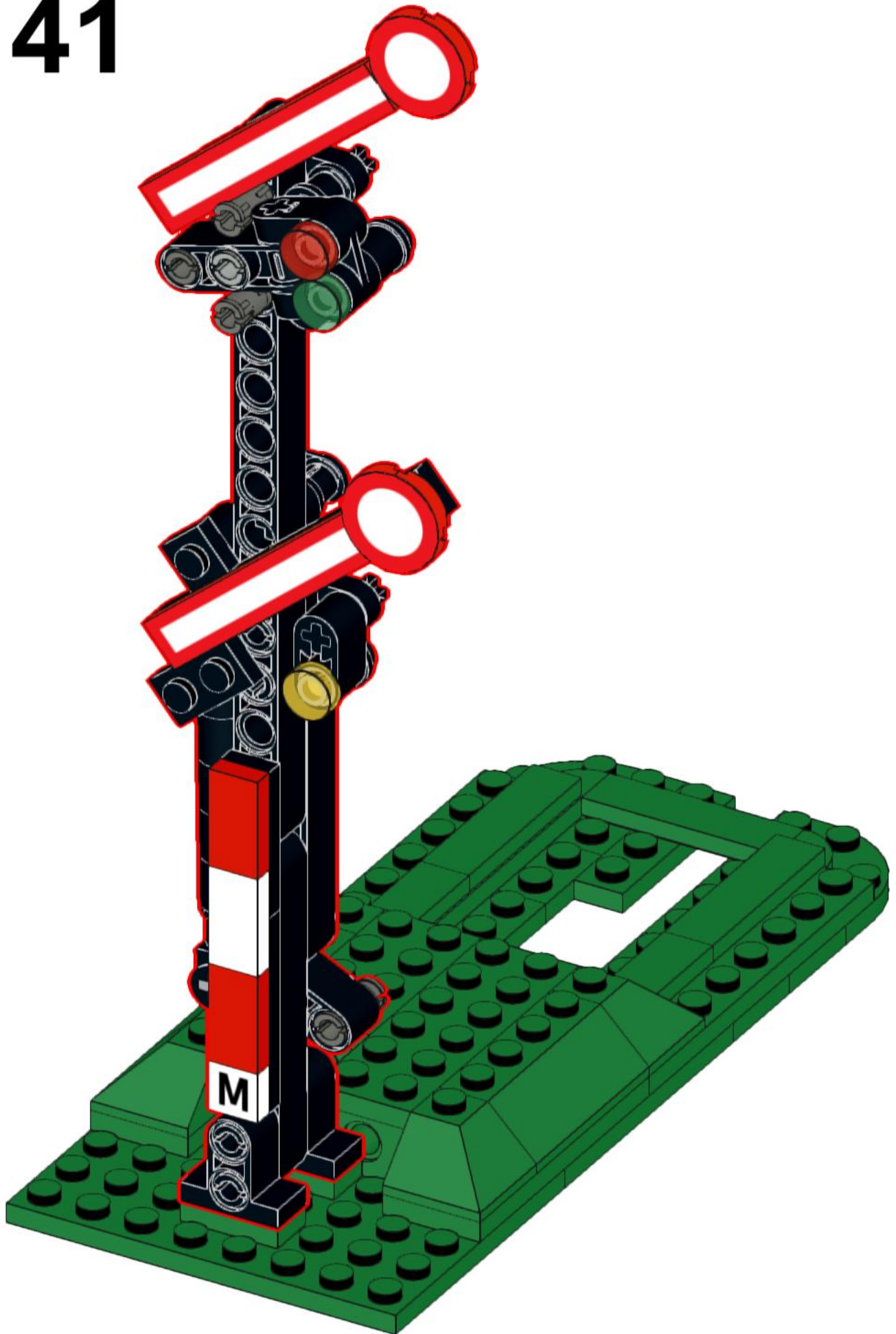
39



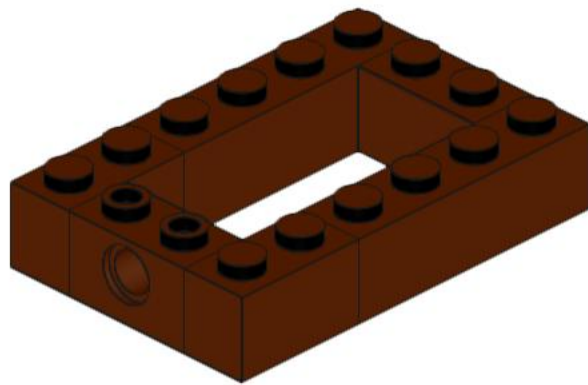
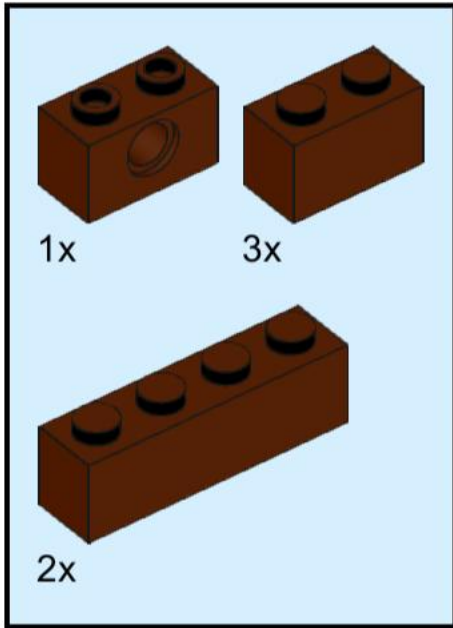
40



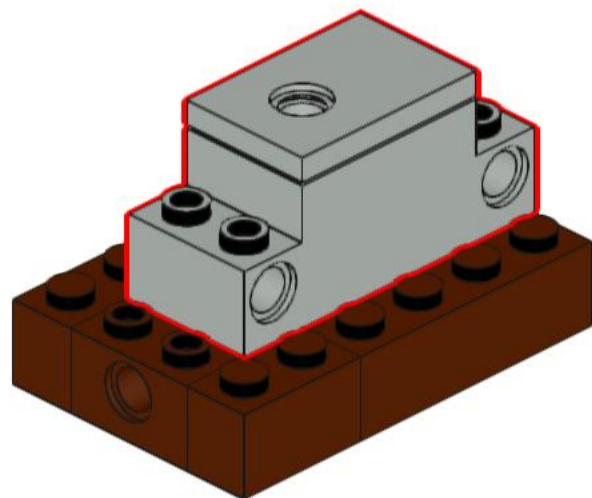
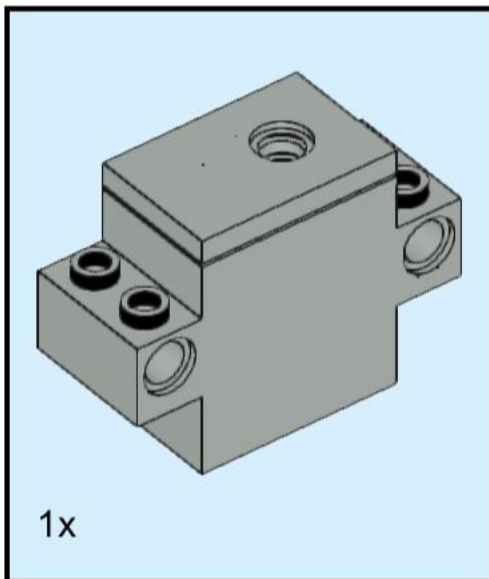
41



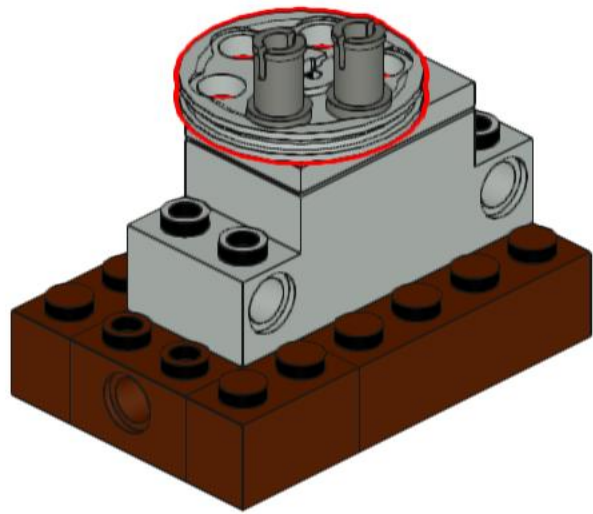
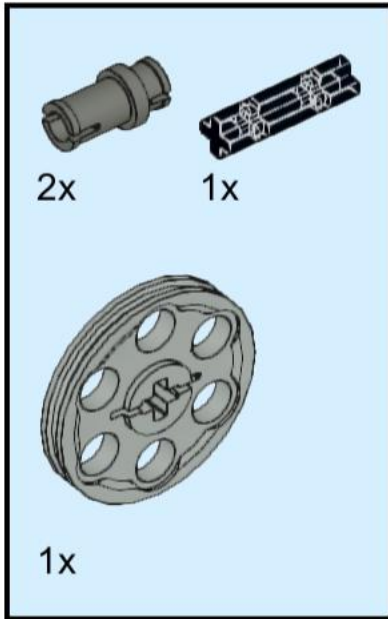
42



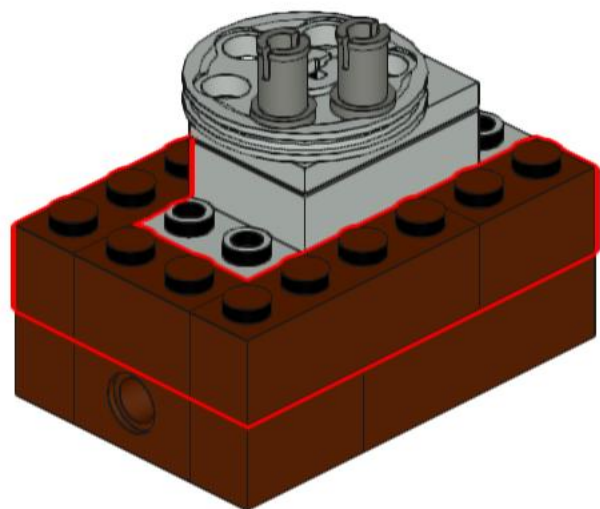
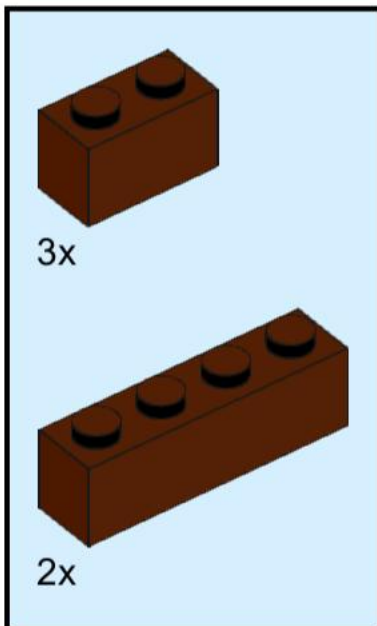
43



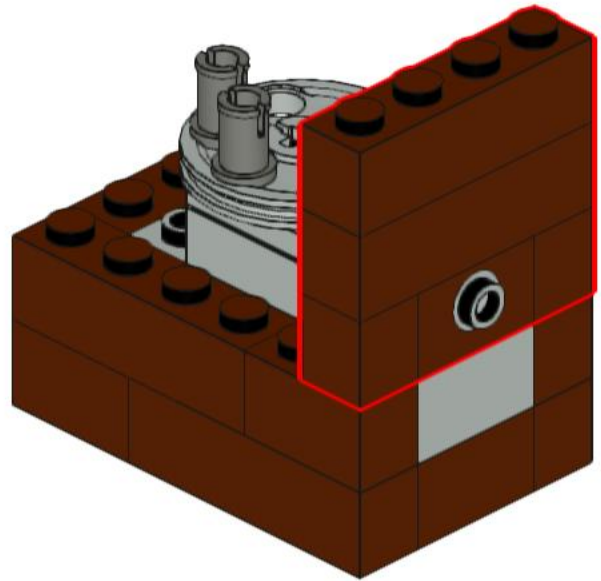
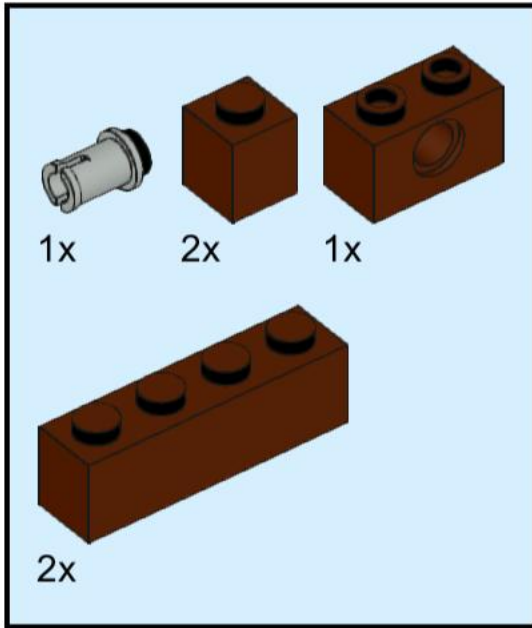
44



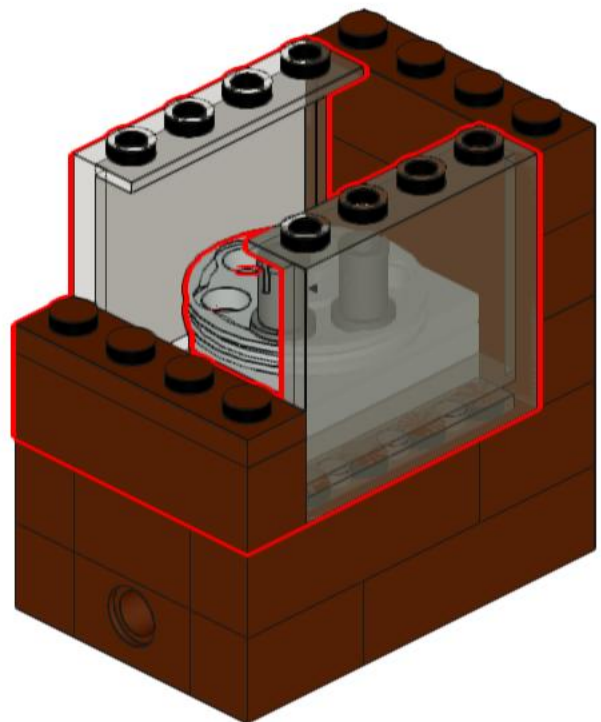
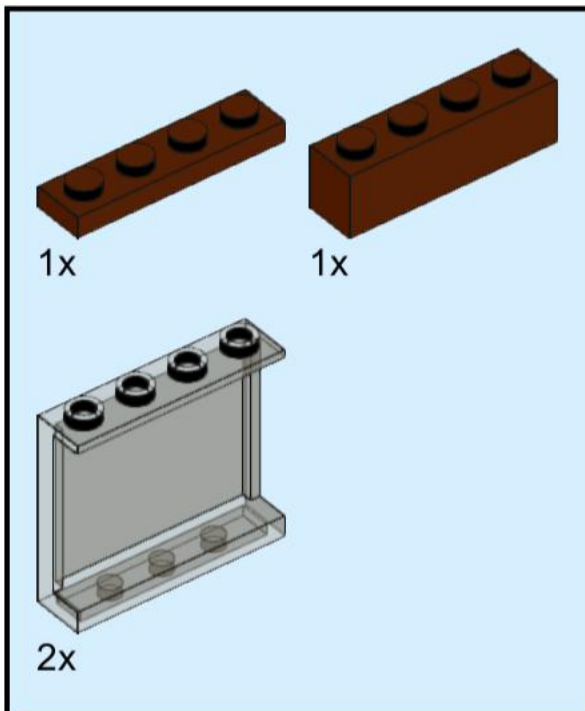
45



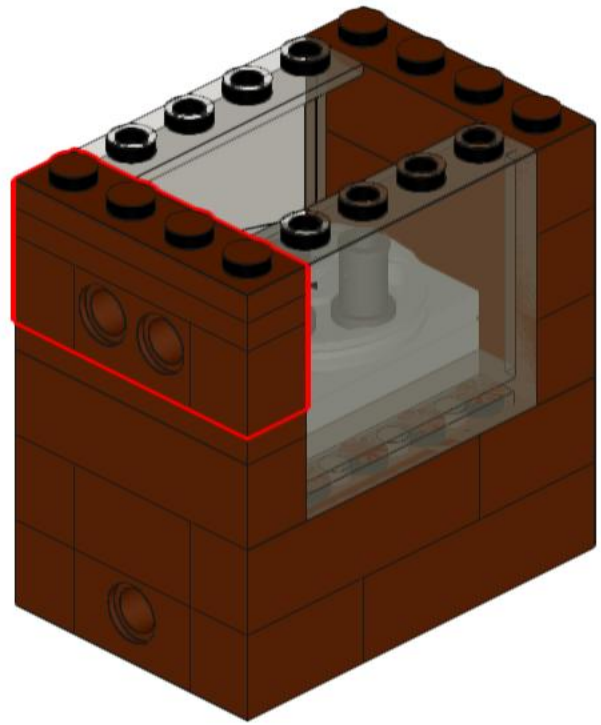
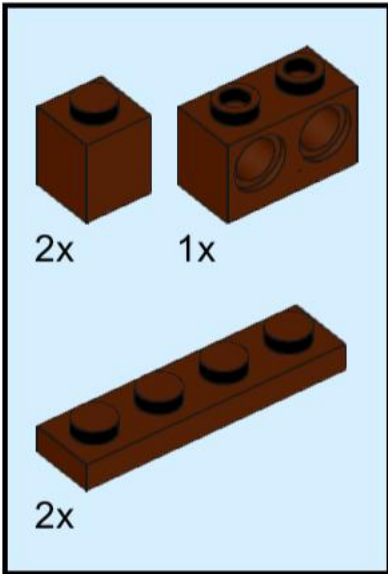
46



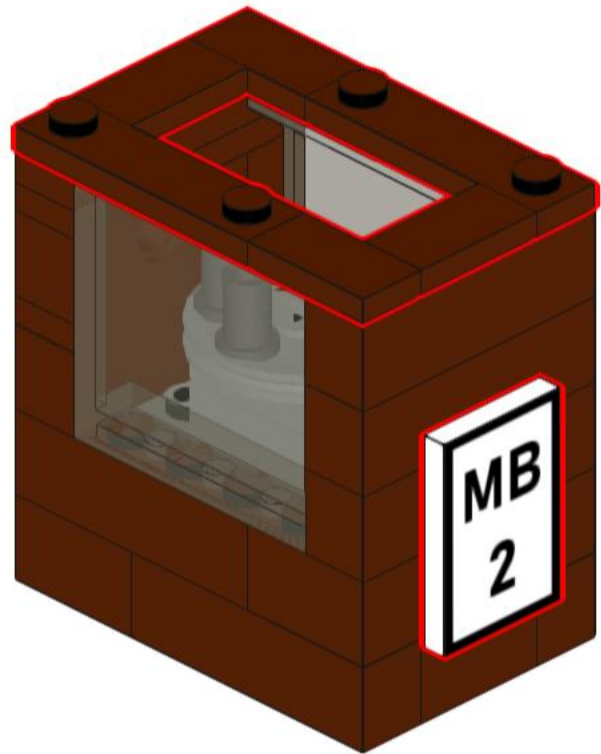
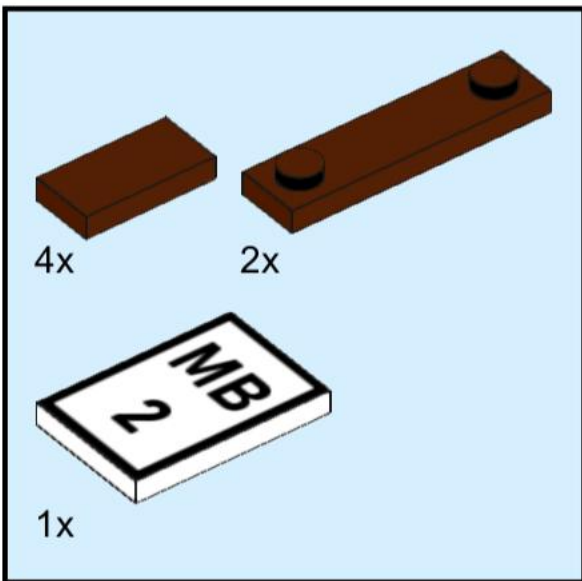
47



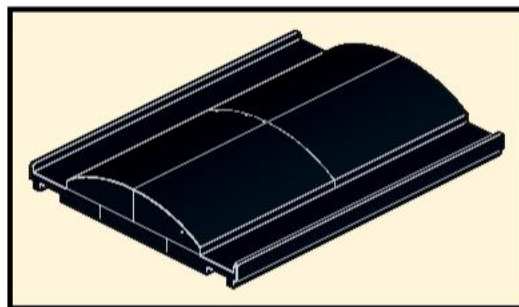
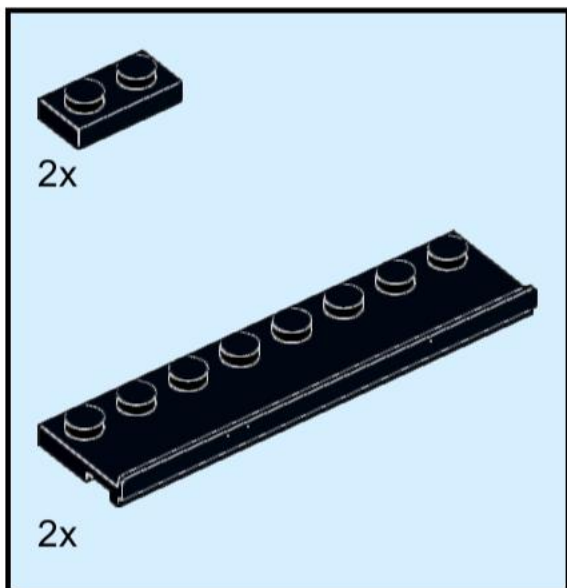
48



49



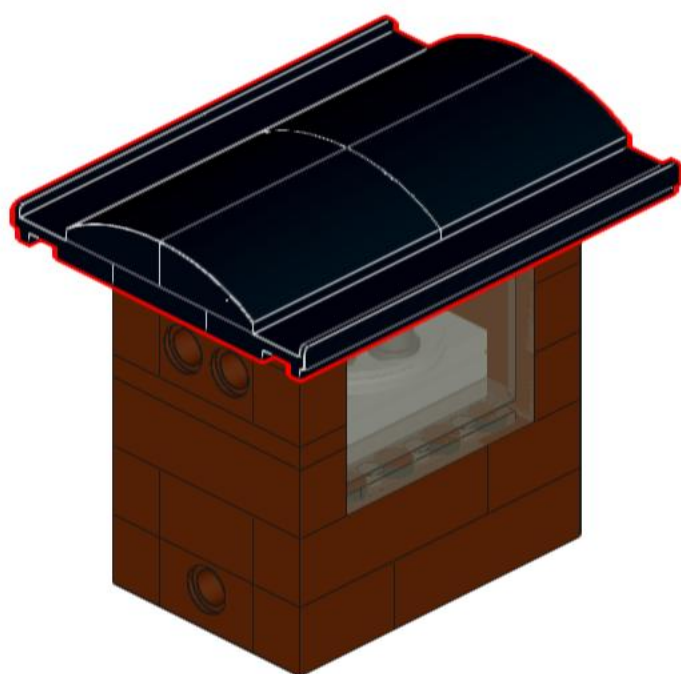
50



51



52



53



54



3x



1x
32039
Black



1x
3623
Black



3x
85861
Black



1x
32013
Black



2x
6558
Black



3x
41677
Black



2x
2420
Black



1x
32523
Black



6x
32062
Black



1x
41678
Black



2x
3710
Black



1x
43093
Black



4x
4459
Black



2x
32530
Black



4x
88930
Black



1x
6536
Black



1x
6632
Black



1x
3706
Black



7x
60483
Black



1x
42003
Black



2x
3023
Black



1x
32184
Black



1x
32065
Black



1x
15100
Black



2x
32524
Black



1x
3707
Black



2x
30586
Black



1x
32278
Black



6x
32002
Dark Bluish Gray



2x
11214
Dark Bluish Gray



8x
4274
Light Gray



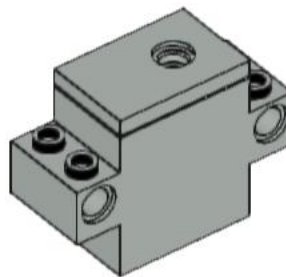
2x
3673
Light Gray



1x
3749
Light Gray



1x
4185
Light Gray



1x



1x



1x
3069a
White



1x



2x
3069a
Red



2x



2x



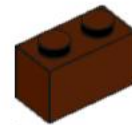
4x
3005
Reddish Brown



4x
3069b
Reddish Brown



1x
32000
Reddish Brown



6x
3004
Reddish Brown



2x
3700
Reddish Brown



3x
3710
Reddish Brown



2x
41740
Reddish Brown



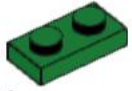
7x
3010
Reddish Brown



2x
25269
Green



2x
3069b
Green



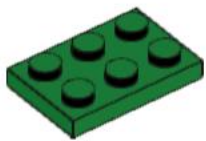
2x
3023
Green



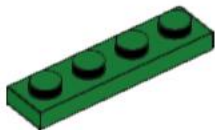
1x
3700
Green



4x
3045
Green



4x
3021
Green



1x
3710
Green



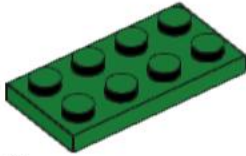
3x
2431
Green



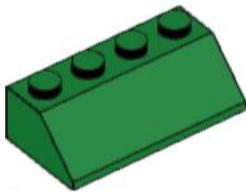
2x
30357
Green



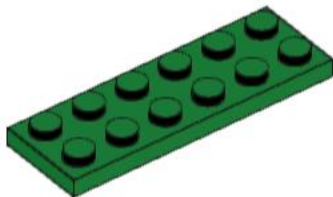
2x
3701
Green



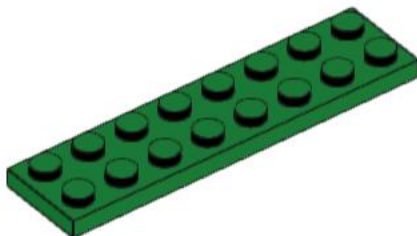
1x
3020
Green



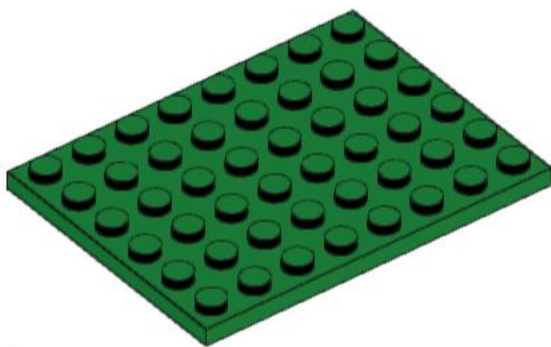
2x
3037
Green



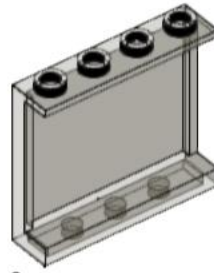
3x
3795
Green



2x
3034
Green



2x
3036
Green



2x
60581
Trans-Black



1x
98138
Trans-Red



1x
98138
Trans-Yellow



1x
98138
Trans-Green

Check out more information about LEGO track planning, LEGO train automation and more instructions on www.mattzobricks.com.

