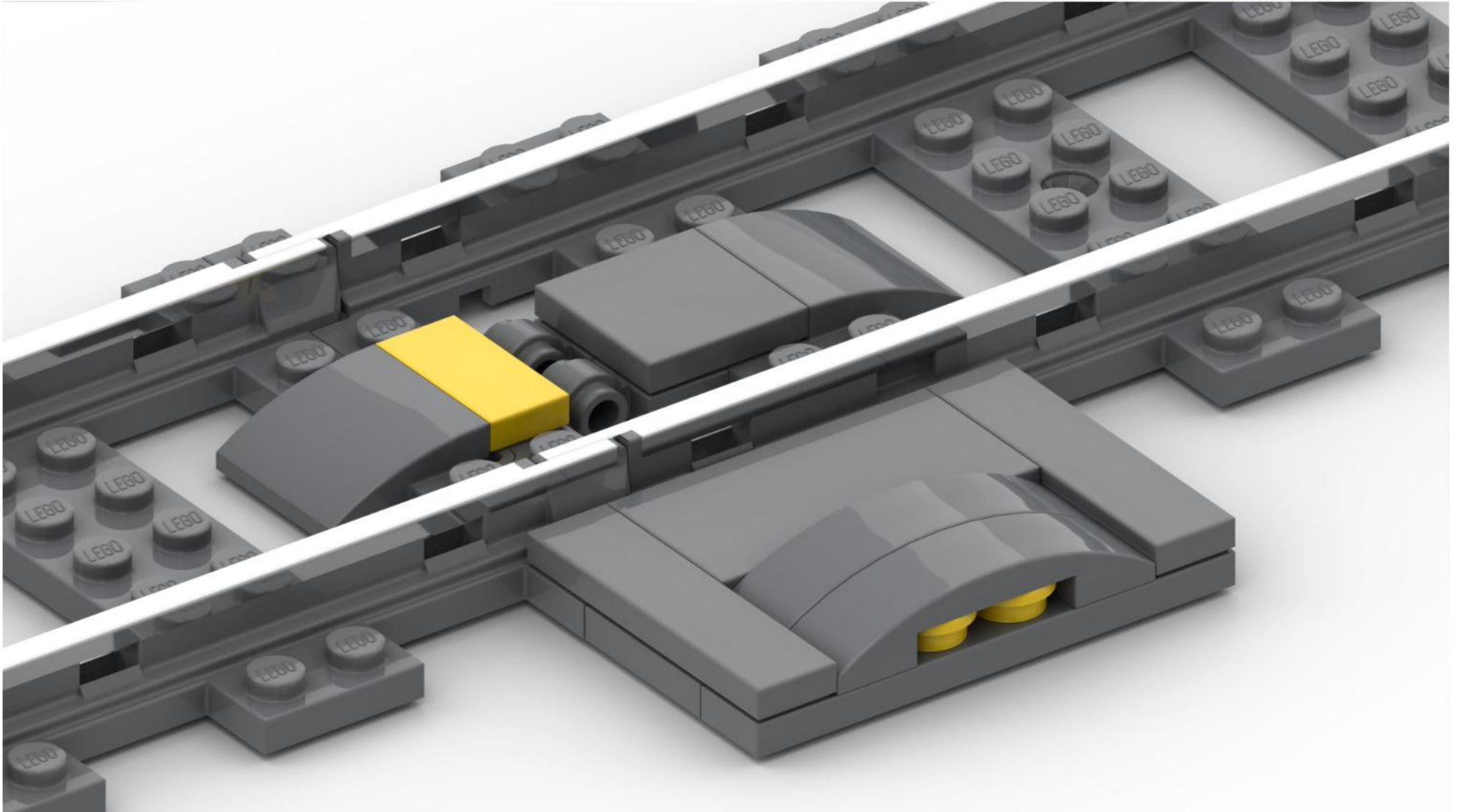
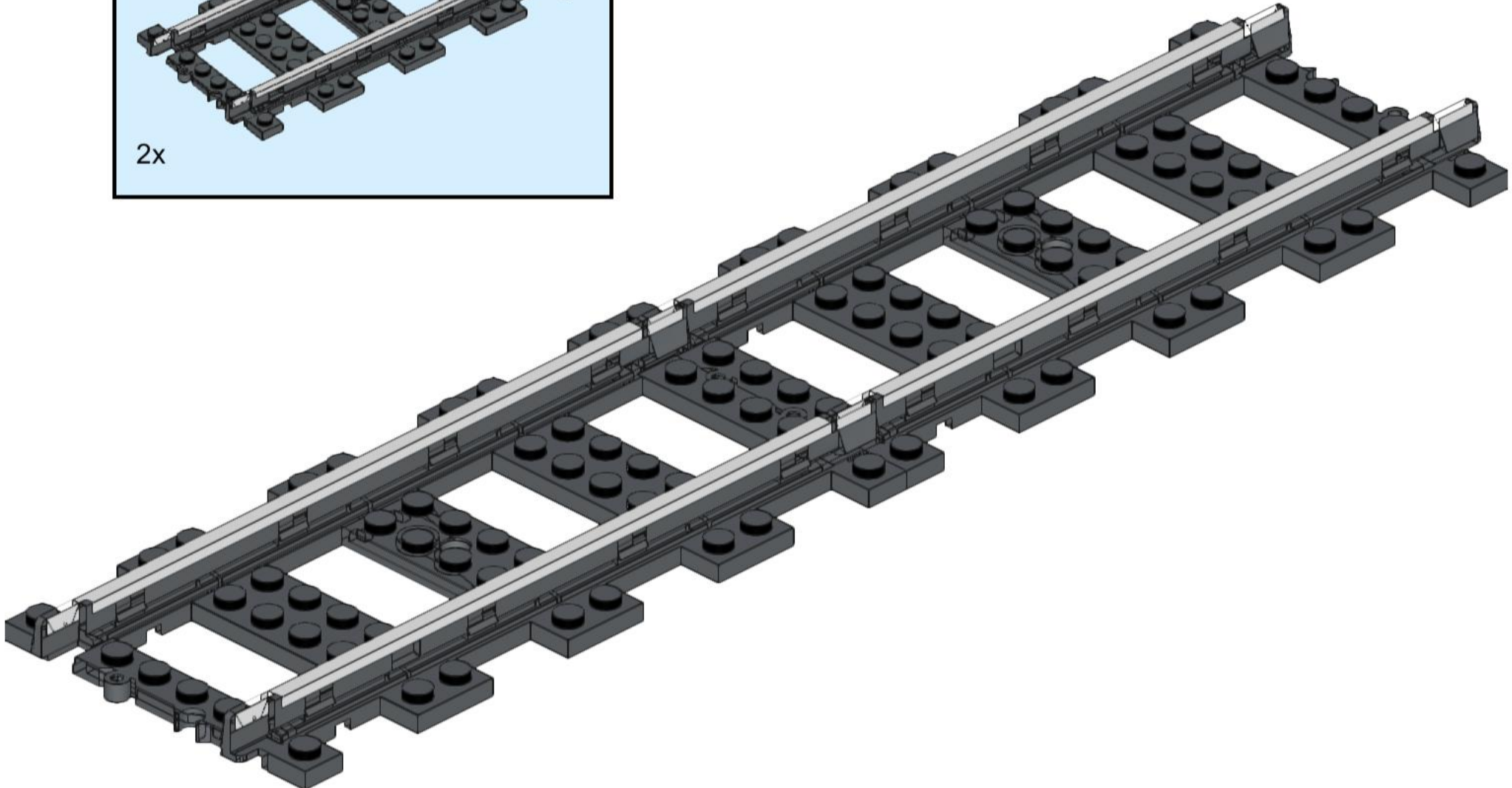
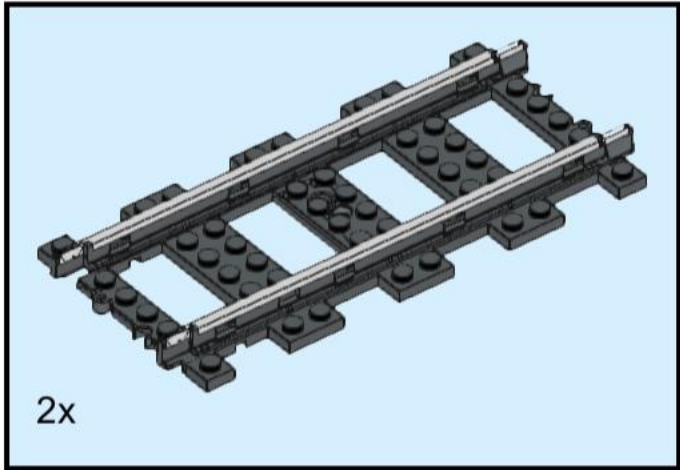


Track Sensor V1.0

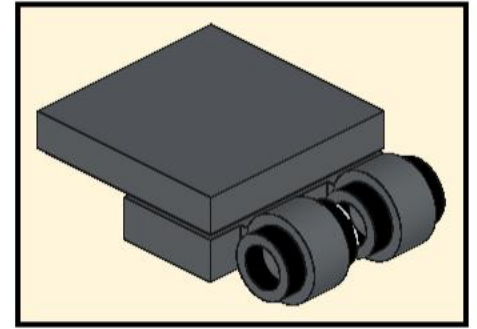
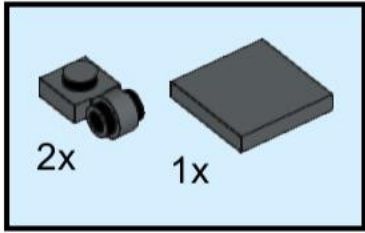


(c) 2024 by Matthias Runte. All rights reserved.
www.mattzobricks.com - info@mattzobricks.com

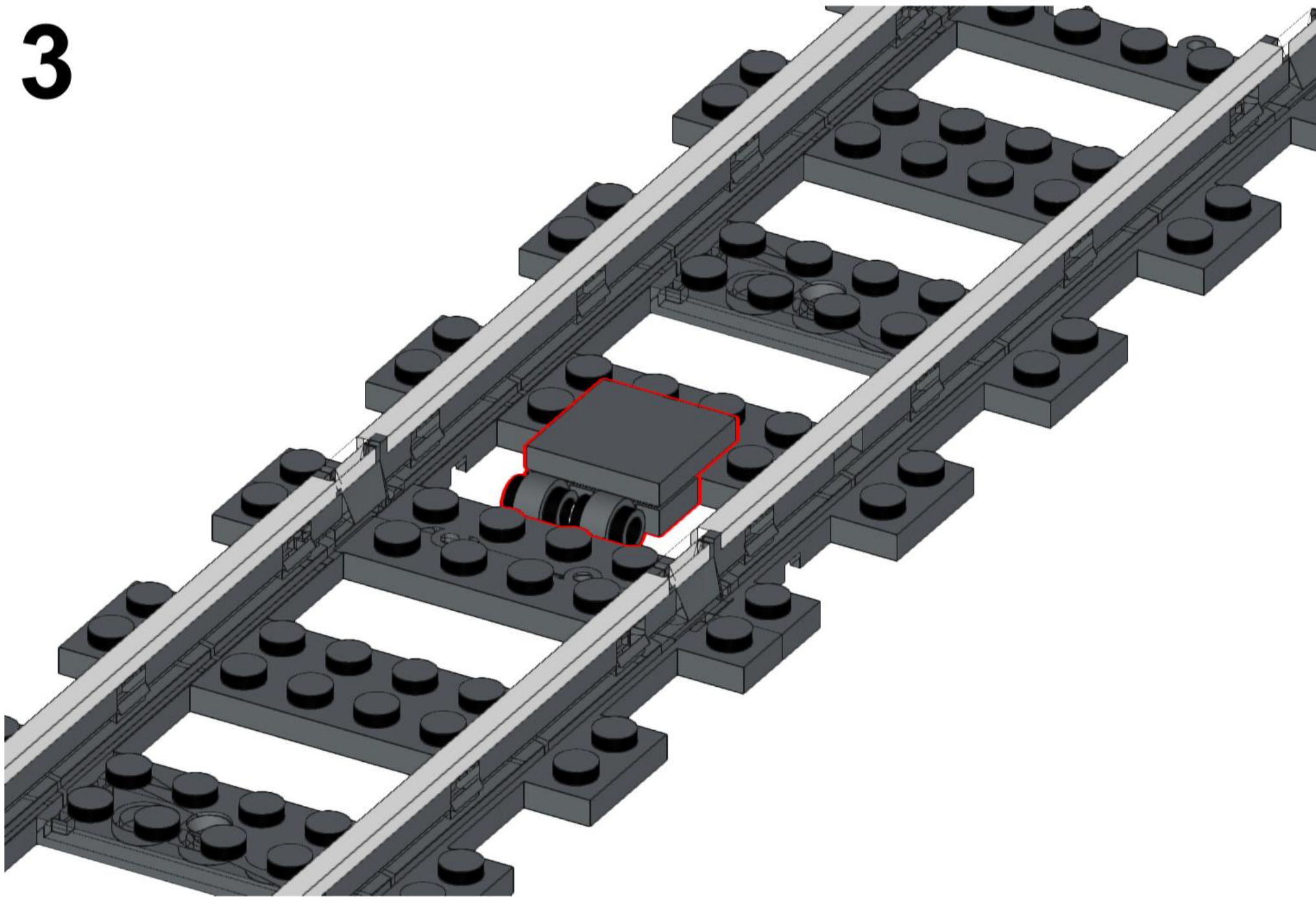
1



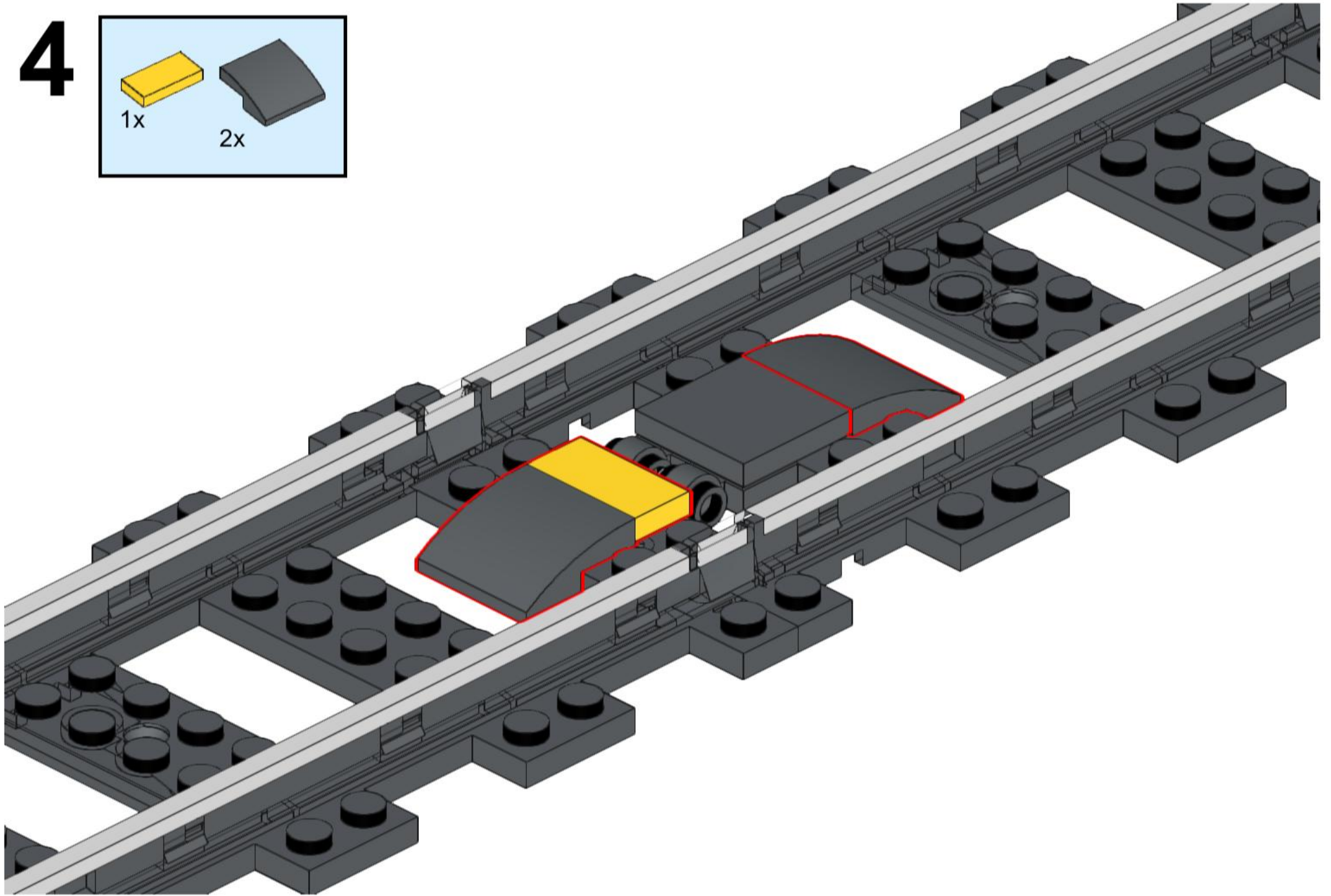
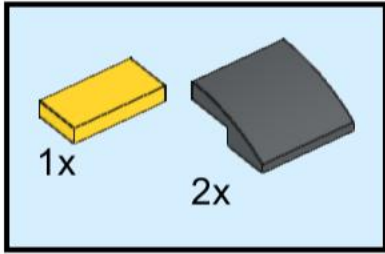
2



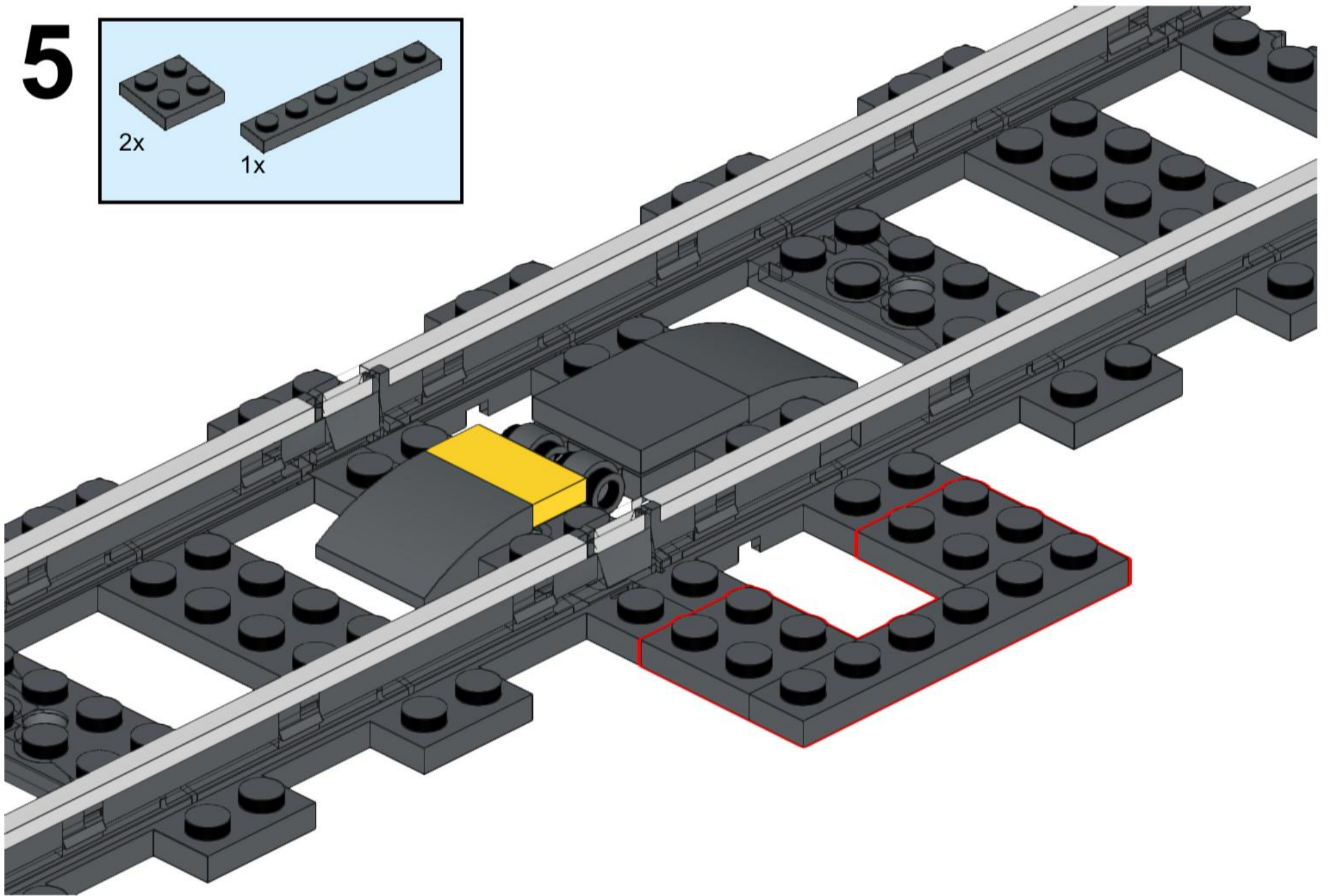
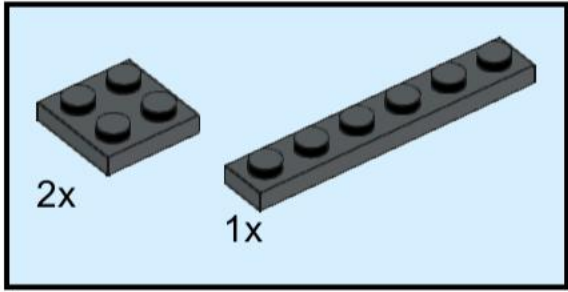
3



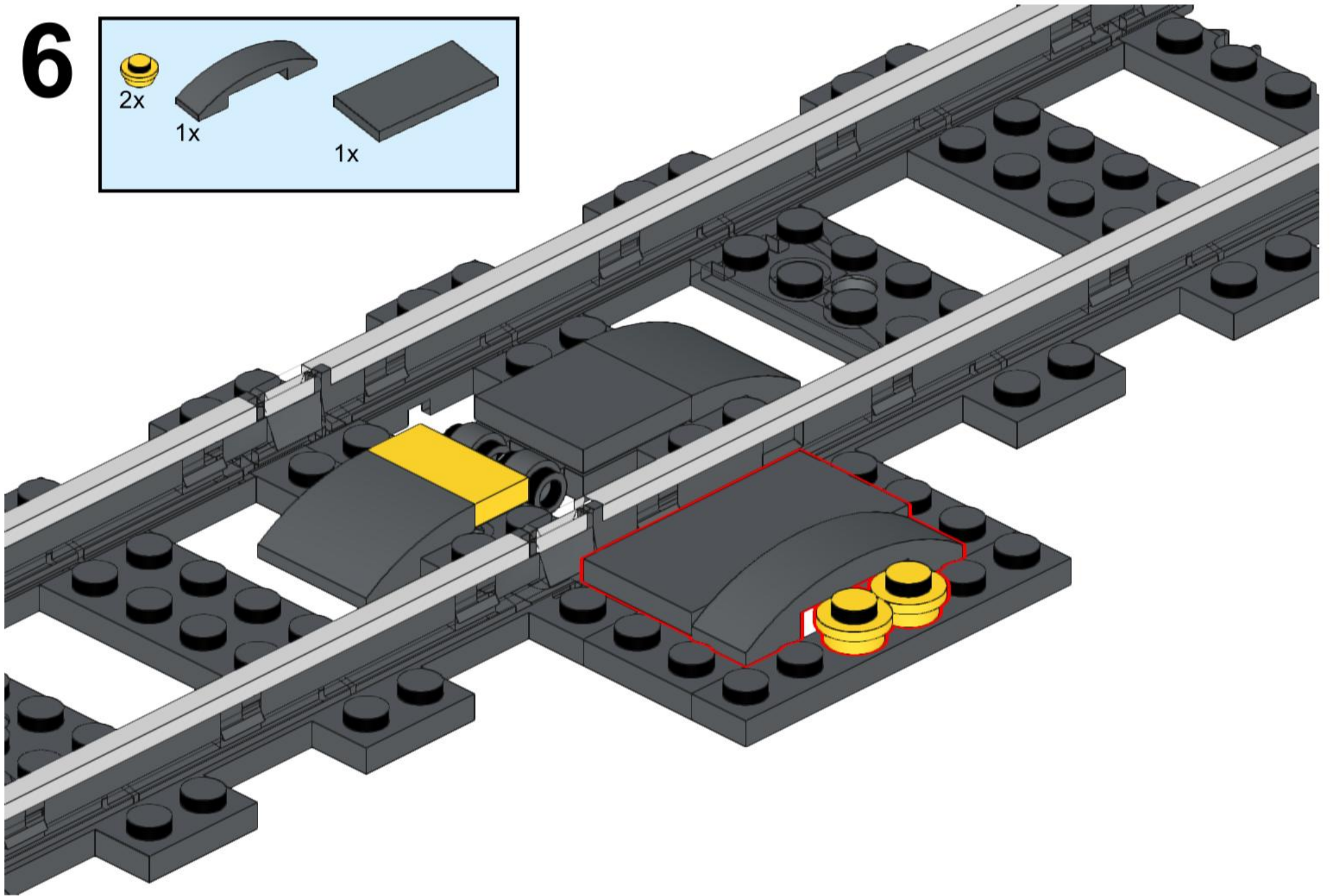
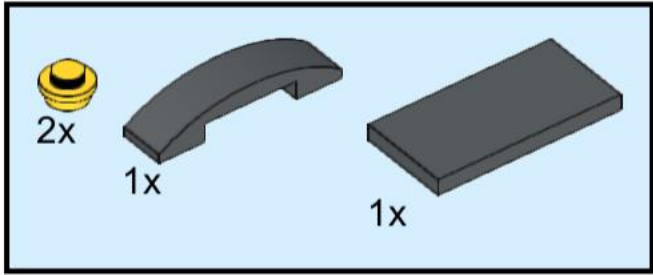
4



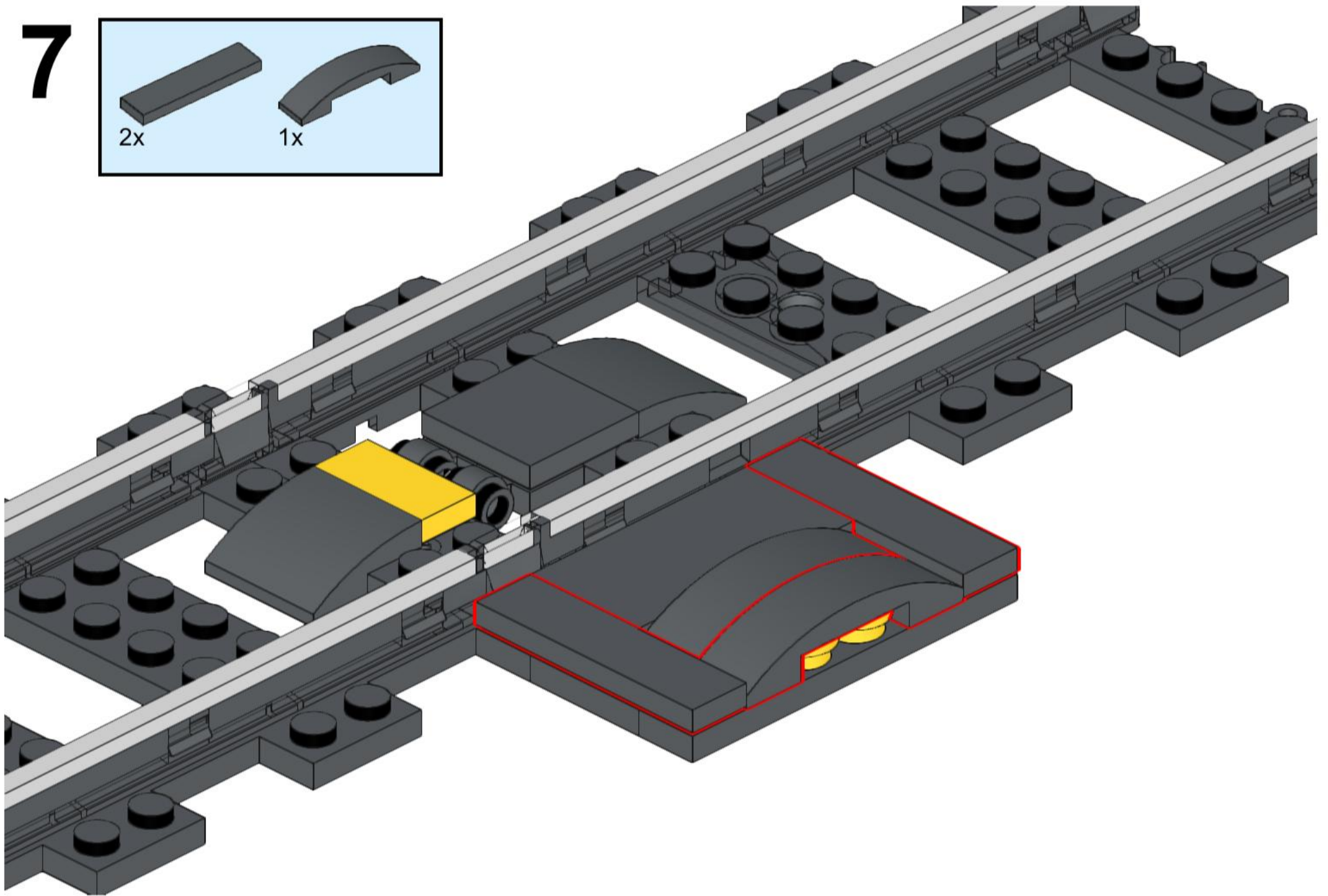
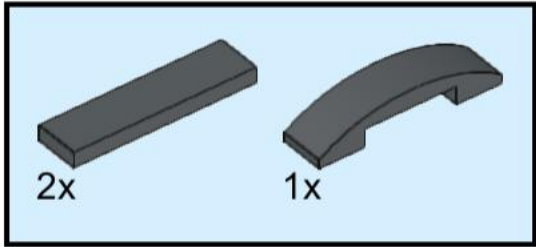
5

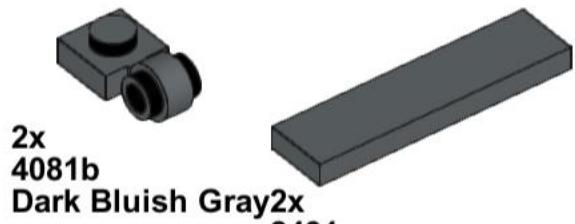


6



7





2x
4081b
Dark Bluish Gray

2x
2431
Dark Bluish Gray



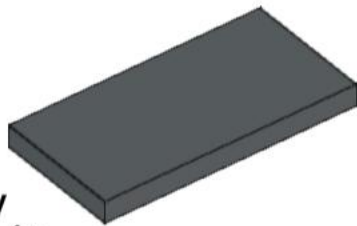
2x
15068
Dark Bluish Gray



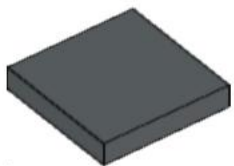
2x
93273
Dark Bluish Gray



2x
3022
Dark Bluish Gray



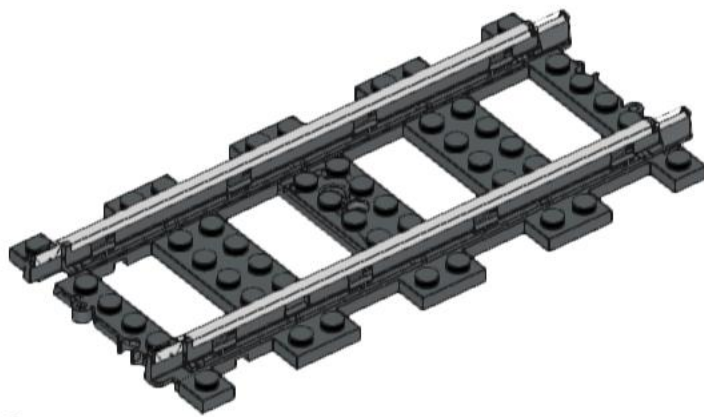
1x
87079
Dark Bluish Gray



1x
3068
Dark Bluish Gray



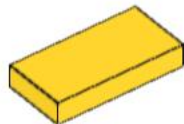
1x
3666
Dark Bluish Gray



2x
2865c01
Dark Bluish Gray



2x
4073
Yellow



1x
3069
Yellow

Check out more information about LEGO track planning,
LEGO train automation and more instructions on
www.mattzobricks.com

